



# FOLLOW



# FOLLOW

The design of modern work environments is increasingly orientated towards wellbeing. FOLLOW by Mara® was born out of this realisation. With its patented mechanical system, the FOLLOW collection's highly versatile and dynamic nature stimulates productivity by placing power back into the hands of the user.

Innovative, aesthetic and functional, the FOLLOW range exemplifies the ultimate flexible working environment that caters for offices, communities and everyday life.



With MARA®'s patented Counterbalance system©, whether you like to work standing or sitting, the FOLLOW range has you covered. For added flexibility for the requirements of modern working spaces, look no further than the FOLLOW range.



01

**01 Collaboration at heart**

The FOLLOW Meeting table is designed with the intention of creating the most impactful experiences through collaboration. For a work environment that encourages collaboration, FOLLOW is the answer.

**02 Tailored for you**

With FOLLOW, you can tailor its extensive range of options to suit your own unique needs and requirements.

**03 Work without the fuss**

Need to stow FOLLOW away? FOLLOW's simple folding mechanism provides you with the added flexibility and versatility that you require.

**04 Perfect for a range of uses**

The adaptability and flexibility of the FOLLOW system makes it an incredibly powerful table system that empowers a wide range of uses and working environments.

**05 Freedom in the way you work**

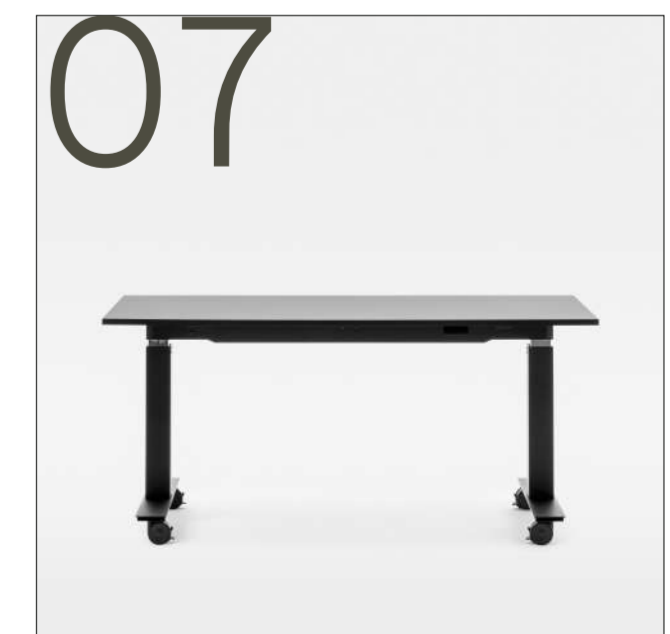
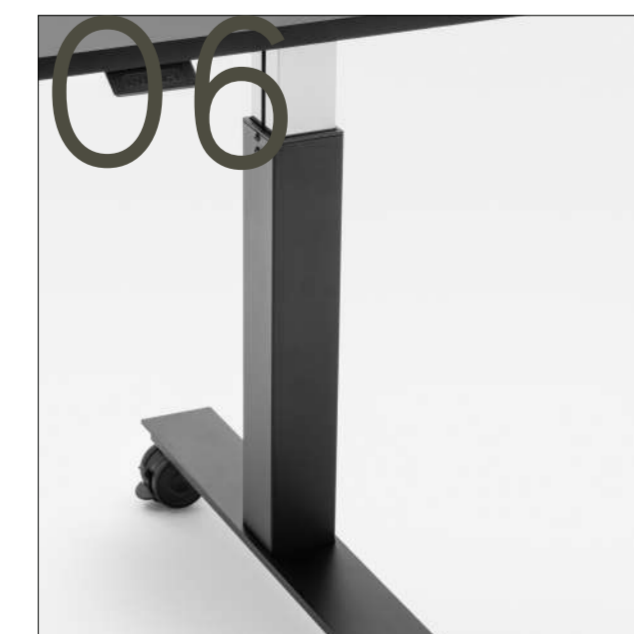
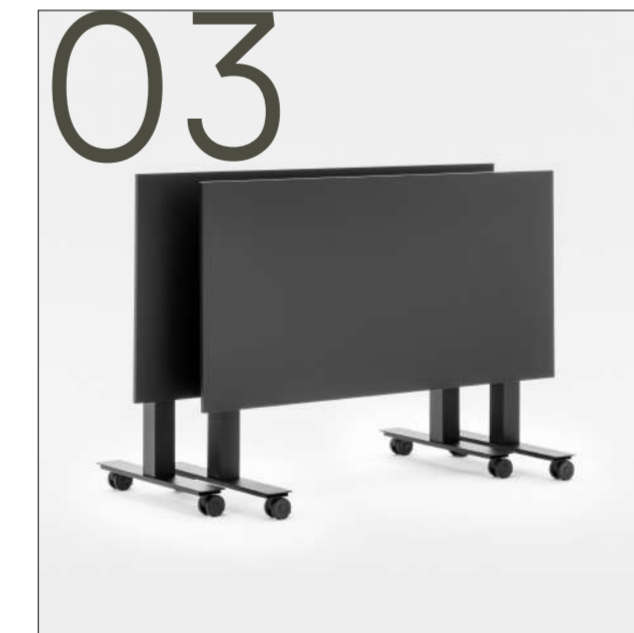
FOLLOW's easy to use sit-to-stand system provides you with the flexibility of a range of working heights, so you can work the way that suits you best.

**06 Patented system**

Mara's Patented Counterbalance system© counterbalances the worktop without the use of electricity or gas pumps.

**07 Elegantly powerful**

With a range of optional power and data accessories, you can tailor the FOLLOW range to empower you. Consult our team at the RJ Office showroom to discover more about our range of options.



Intuitively powerful and wonderfully elegant, the FOLLOW table system by Mara® is a system that provides you with the perfect working companion. Whether you work from home or in the office, FOLLOW has you covered.



# FOLLOW

TECHNICAL SPECIFICATIONS

# FOLLOW

WORKSTATIONS

## FOLLOW Tilt Table

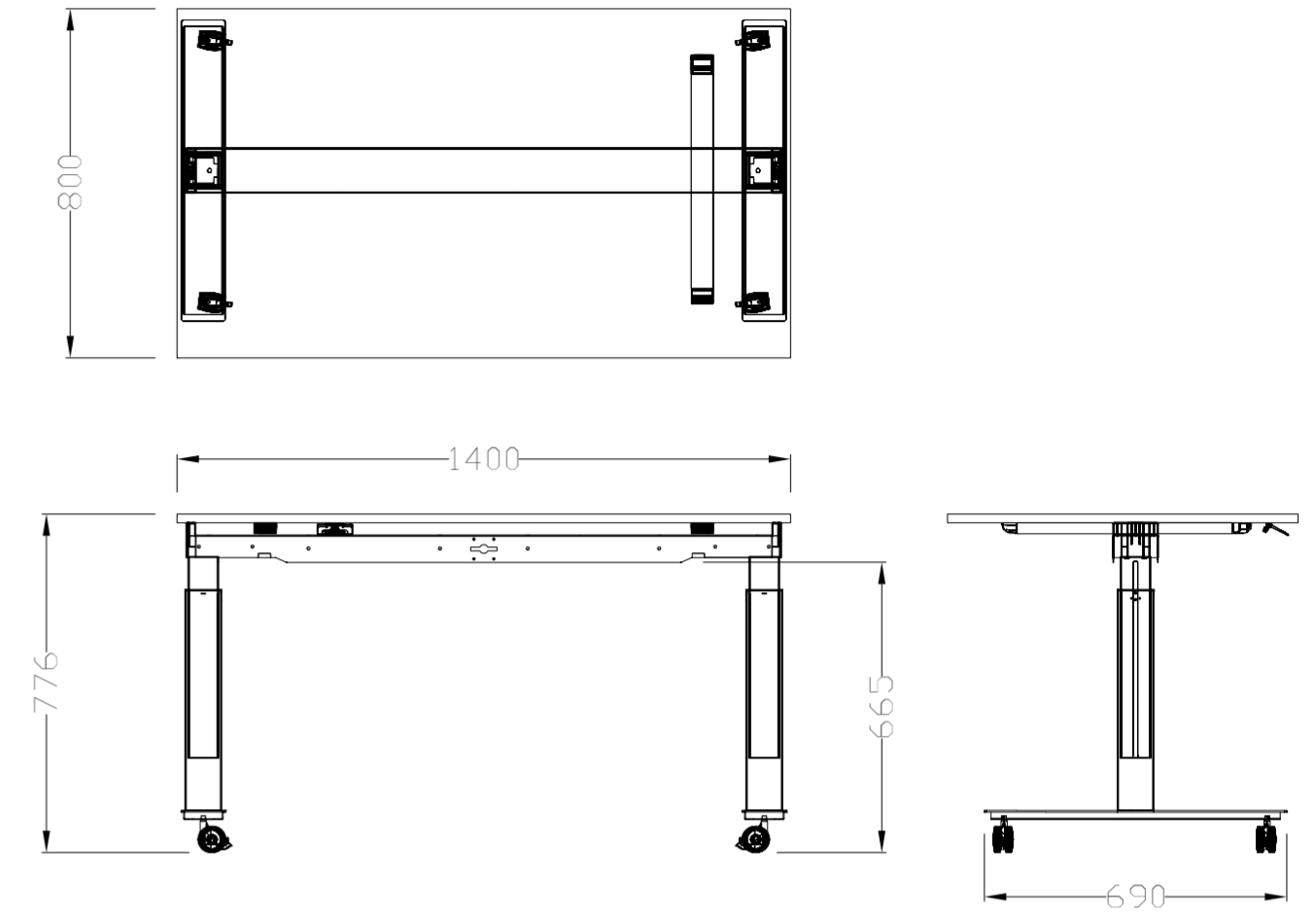
### Materials Information

#### 1. Tops

25mm commercial Melamine,  
Laminate or Veneer worktops.  
Solid wood or ABS edging.

#### 2. Base and Frame

FOLLOW's Base and Frame are all  
manufactured using  
Powder-coated Steel.  
Powder-coated Steel legs,  
come in both white and black  
variations. Other Colours can be  
made available as specified.



## FOLLOW Break Table

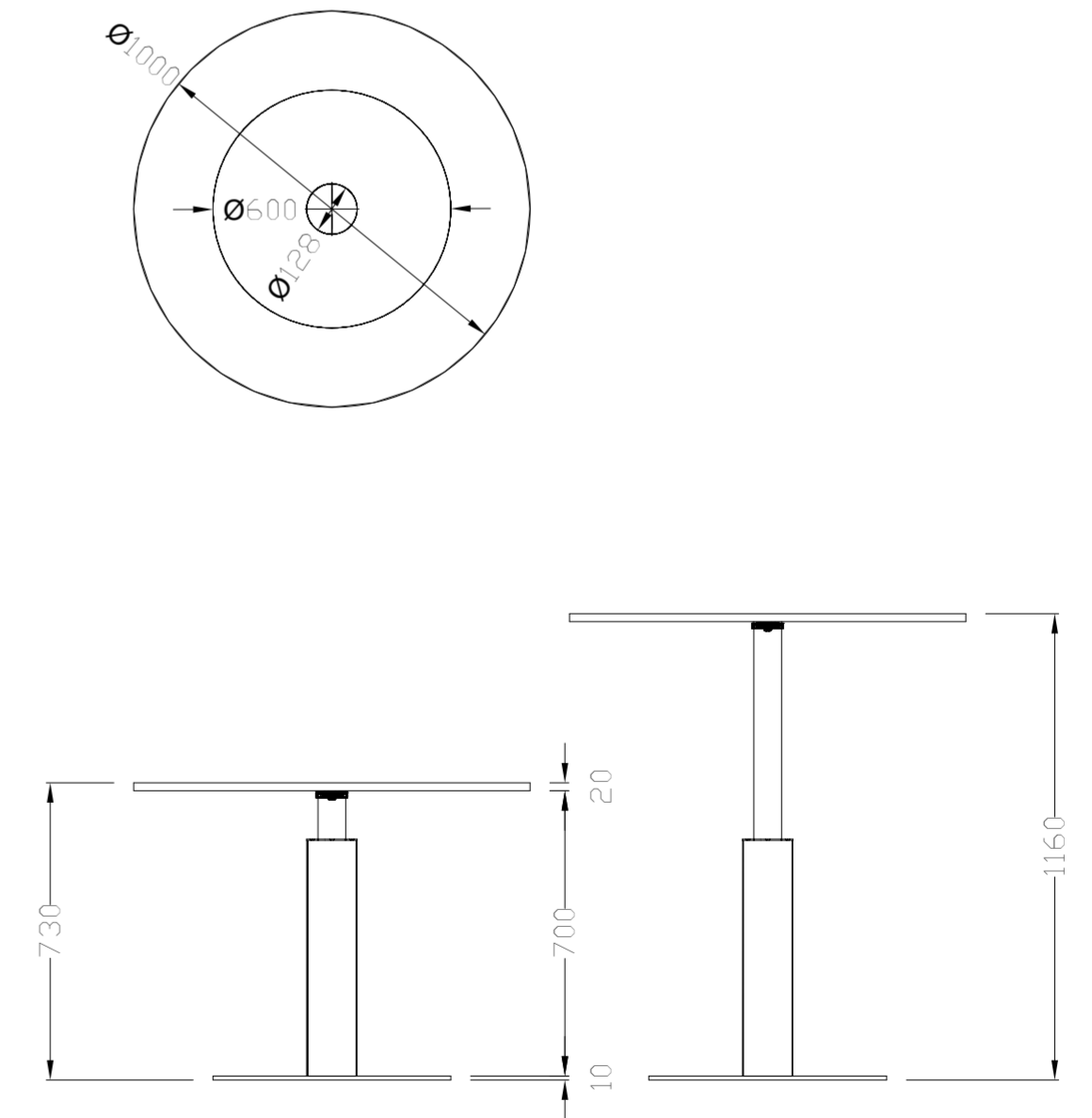
### Materials Information

#### 1. Tops

25mm commercial Melamine,  
Laminate or Veneer worktops.  
Solid wood or ABS edging.

#### 2. Base and Frame

FOLLOW's Base and Frame are all  
manufactured using  
Powder-coated Steel.  
Powder-coated Steel legs,  
come in both white and black  
variations. Other Colours can be  
made available as specified.



# FOLLOW

## WORKSTATIONS

### FOLLOW Break Small Table

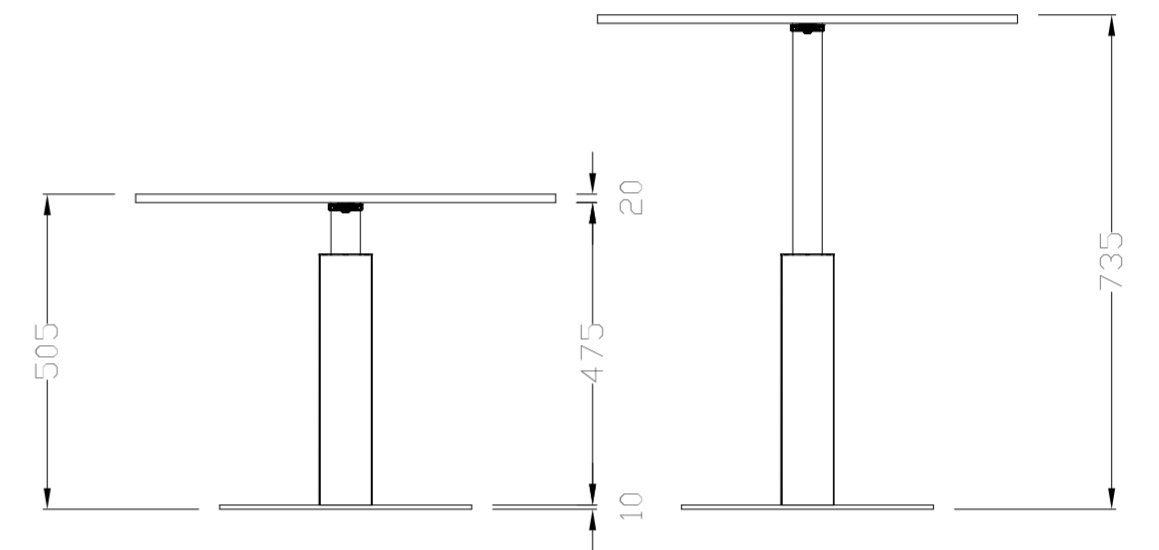
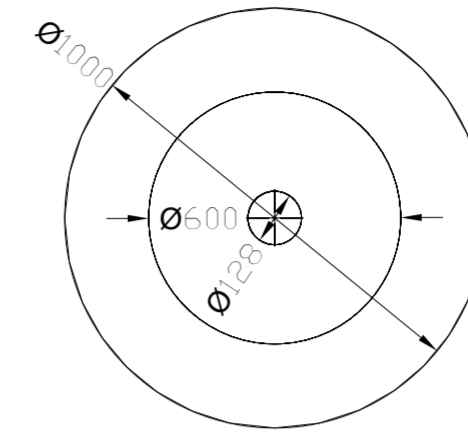
#### Materials Information

##### 1. Tops

25mm commercial Melamine,  
Laminate or Veneer worktops.  
Solid wood or ABS edging.

##### 2. Base and Frame

FOLLOW's Base and Frame are all  
manufactured using  
Powder-coated Steel.  
Powder-coated Steel legs,  
come in both white and black  
variations. Other Colours can be  
made available as specified.



### FOLLOW Meeting Table

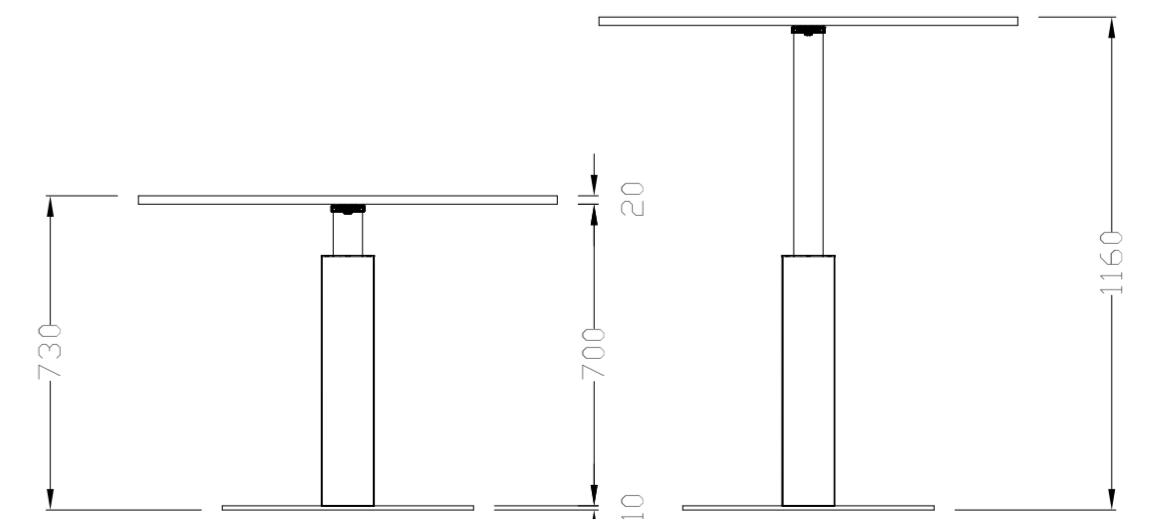
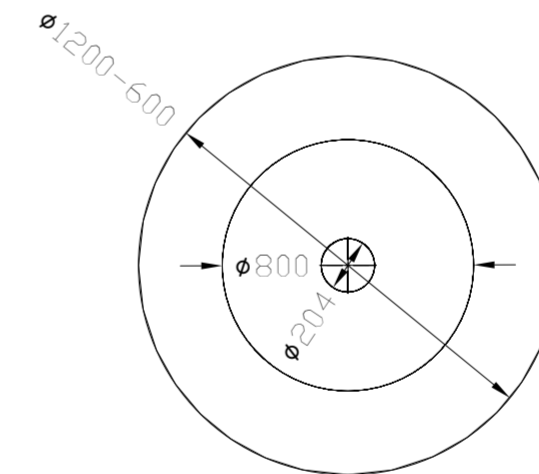
#### Materials Information

##### 1. Tops

25mm commercial Melamine,  
Laminate or Veneer worktops.  
Solid wood or ABS edging.

##### 2. Base and Frame

FOLLOW's Base and Frame are all  
manufactured using  
Powder-coated Steel.  
Powder-coated Steel legs,  
come in both white and black  
variations. Other Colours can be  
made available as specified.



# FOLLOW

TECHNICAL SPECIFICATIONS

# FOLLOW

## FINISHES

Adroit and versatile, FOLLOW yields the importance of adaptability for your own needs, offering a range of finishes and configurations to suit any office space.

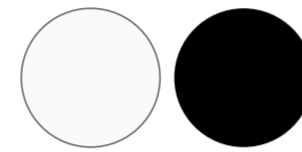
### 1. Tops

25mm commercial Melamine, Laminate or Veneer worktops. Solid wood or ABS edging.



### 2. Base and Frame

FOLLOW's Base and Frame are all manufactured using Powder-coated Steel. Powder-coated Steel legs, come in both white and black variations. Other Colours can be made available as specified.





#### FOLLOW

THE DESIGN OF MODERN WORK ENVIRONMENTS IS INCREASINGLY ORIENTATED TOWARDS WELLBEING. FOLLOW BY MARA® WAS BORN OUT OF THIS REALISATION. WITH ITS PATENTED MECHANICAL SYSTEM, THE FOLLOW COLLECTION'S HIGHLY VERSATILE AND DYNAMIC NATURE STIMULATES PRODUCTIVITY BY PLACING POWER BACK INTO THE HANDS OF THE USER.

#### SUSTAINABILITY POLICY

WE BELIEVE A TRULY SUSTAINABLE BUSINESS SHOULD EMBRACE ENVIRONMENTAL, SOCIAL AND CULTURAL VALUES. OUR PHILOSOPHY MEANS THAT WE EXAMINE EVERYTHING WE DO TO MINIMISE OUR IMPACT ON THE ENVIRONMENT STARTING WITH THE DESIGN OF OUR PRODUCTS, THE SELECTION OF MATERIALS, MANUFACTURING, ASSEMBLY AND INSTALLATION, PRACTICES IN OUR OFFICES AND ACCEPTING THE RESPONSIBILITY FOR OUR PRODUCTS' LIFE CYCLES.

#### ENVIRONMENTAL POLICY

RJ OFFICE HAS BEEN ON A SUSTAINABILITY JOURNEY SINCE 2008, ACHIEVING ENVIRONMENTAL PRODUCT CERTIFICATION AND IN 2009 ATTAINING ISO14001 EMS CERTIFICATION. AS PART OF OUR ENVIRONMENTAL MANAGEMENT SYSTEM, WE ARE COMMITTED TO CONTINUALLY IMPROVING OUR ENVIRONMENTAL PRACTICES TO ENSURE THAT WE MAINTAIN A BALANCE BETWEEN THE ENVIRONMENT AND OUR BUSINESS.

#### PRODUCT STEWARDSHIP POLICY

OUR PRODUCT STEWARDSHIP POLICY FOR RJ PRODUCTS PROVIDES USERS WITH A NUMBER OF OPTIONS.

WE ENCOURAGE OUR CUSTOMERS TO CONTACT US ABOUT RETURN OF OUR PRODUCTS. IF THE PRODUCTS CANNOT BE REUSED OR REFURBISHED, RJ OFFICE COMMITS TO TAKE THE PRODUCTS BACK AT AN AGREED COST AND ENSURE THAT THEY ARE DISASSEMBLED AND THE COMPONENTS ARE RECYCLED OR WHERE APPROPRIATE DISPOSED OF RESPONSIBLY.

PHONE: (02) 9299 9090

RJ OFFICE P/L  
COPYRIGHT 2020  
ALL RIGHTS RESERVED

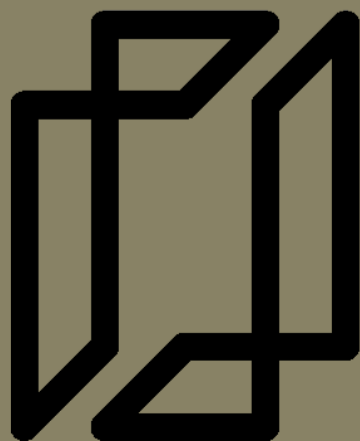
#### SHOWROOM

25 SHELLEY ST.  
KING STREET WHARF  
SYDNEY NSW 2000  
T: +61 2 9299 9090

#### LOGISTICS

BUILDING 2  
112 LILYFIELD ROAD  
LILYFIELD NSW 2040  
T: +61 2 9818 8788

[info@rj.com.au](mailto:info@rj.com.au)  
[rj.com.au](http://rj.com.au)



**IMAGINE, INNOVATE, CREATE.**

[WWW.RJ.COM.AU](http://WWW.RJ.COM.AU)