



ARGGO LIBRO



ARGO LIBRO

A space saving family of tables aimed at promoting efficiency and Flexibility in the workplace. The ARGO LIBRO range allows you to exploit your working floor plan to the greatest extent, with a range of tables that simply fold to allow you to get the most out of your working space.

The ARGO LIBRO range evokes elegance and lightness in its appeal. Made in the Mara® factory, the ARGO LIBRO range characterises the appeal of modern space-saving tables that can be packed and stowed away vertically or horizontally, so you can maximise the efficiency of space.



Mobility and personalisation are the key elements to promote efficiency and well-being in the workplace. the ARGO LIBRO series, made in steel, offers a resistant and stable support that has been thoughtfully expressed to create impactful work environments.



01

01 Evoking elegance and lightness

The ARGO LIBRO series is designed to bring an air of elegance and lightness to any workspace.

02 A space saving tables family

The ARGO LIBRO's folding mechanism means you can easily fold and store the tables away. The simple staking footprint allows for increased versatility and flexibility for varying working modes.

03 Lock your position in

The ARGO LIBRO galvanised locking system provides a sturdy locking mechanism that fastens the table in place.

04 Perfect for a range of uses

The adaptability and flexibility of the ARGO LIBRO system makes it an incredibly powerful table system that empowers a wide range of uses and working environments.

05 Available in a range of configurations

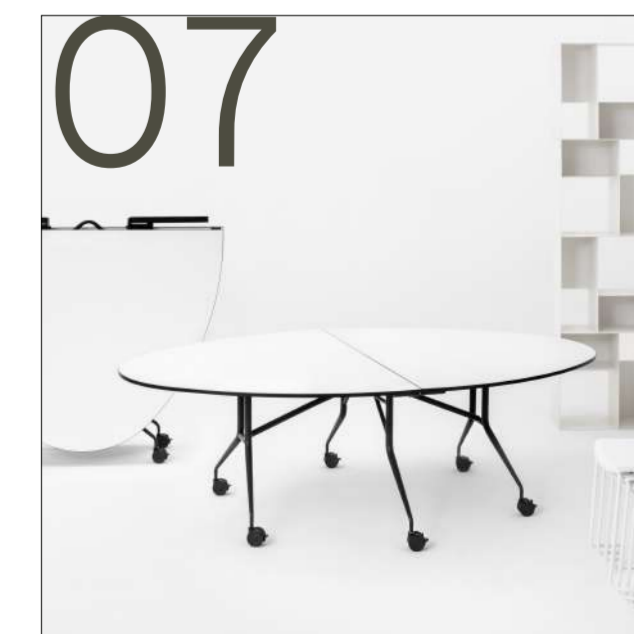
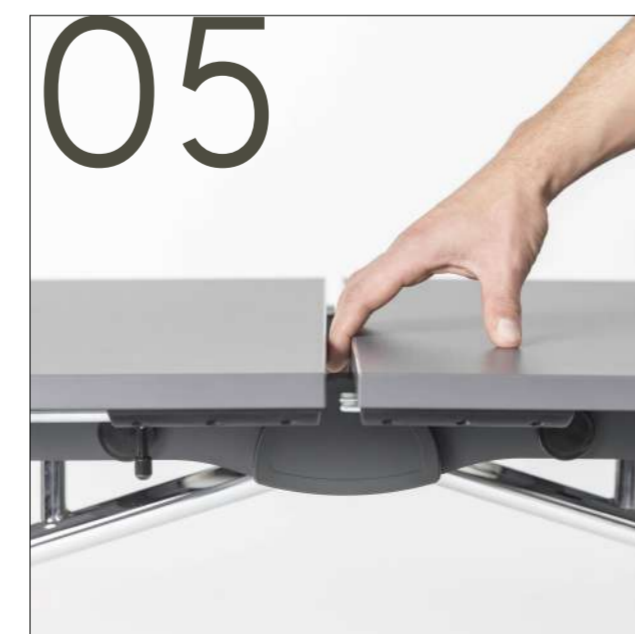
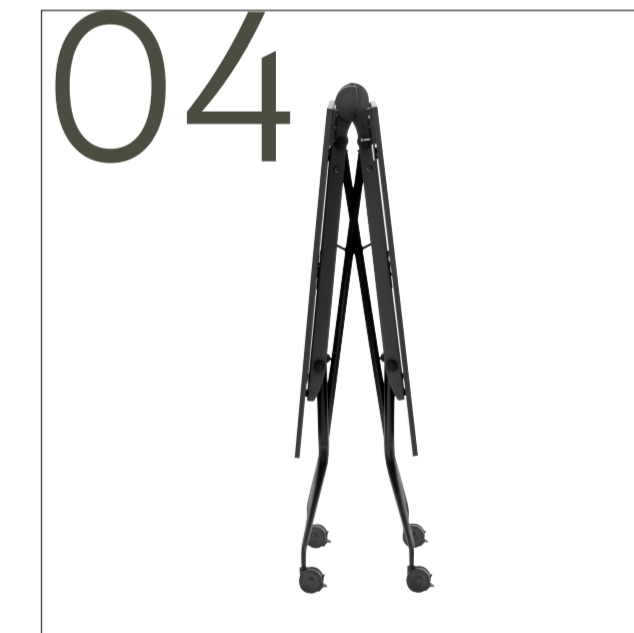
The ARGO LIBRO system comes in a range of optional sizes and finishes. Consult our team at the RJ Office showroom to discover more about our range of options.

06 Safe at all times

The ARGO LIBRO Series unique integrated anti-shock system ensures your hands are safe when folding out the table.

07 Power and data accessories

With a range of optional power and data accessories, you can tailor the ARGO LIBRO range to suit your own personal requirements. Consult our team at the RJ Office showroom to discover more about our range of options.



When it comes to exploiting the most out of your workspace floorplan, look no further than the ARGO LIBRO series. A system that heightens the experience of working elegantly and flexibly.



ARGGO LIBRO

TECHNICAL SPECIFICATIONS

ARGO LIBRO

TableS

ARGO LIBRO 2800mm Rectangular Table

Materials Information

1. Tops

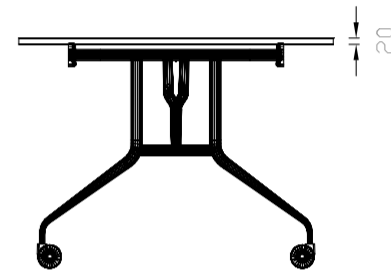
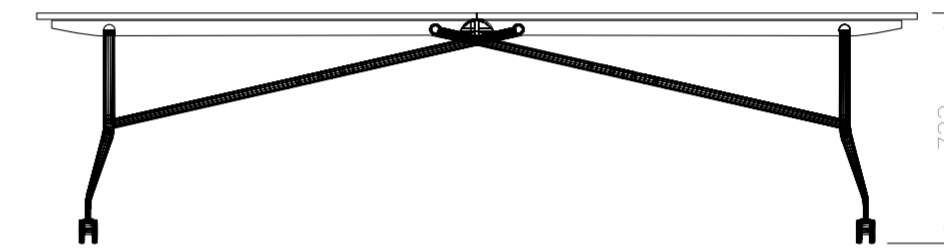
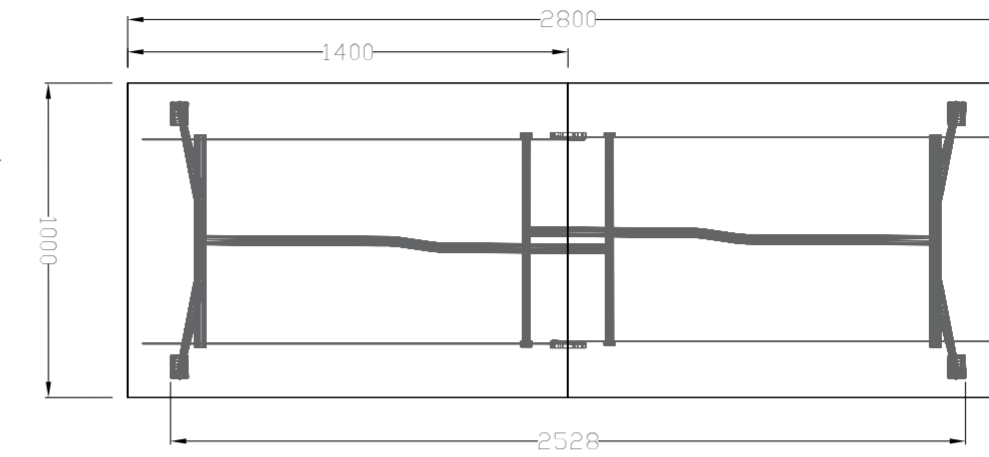
25mm commercial Melamine,
Laminate or Veneer worktops.
Solid wood or ABS edging.

2. Legs

ARGO LIBRO's Legs are all
manufactured using
Powder-coated Steel.
Powder-coated Steel legs,
come in both white and black
variations. Other Colours can be
made available as specified.

3. Frame

ARGO LIBRO's frames are all
manufactured using
Powder-coated Steel. White or Black
Powder-coat comes as standard. Other
Colours can be made available as
specified.



ARGO LIBRO 2600mm Rectangular Table

Materials Information

1. Tops

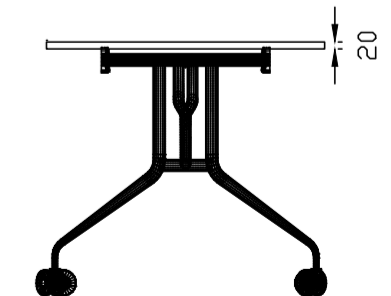
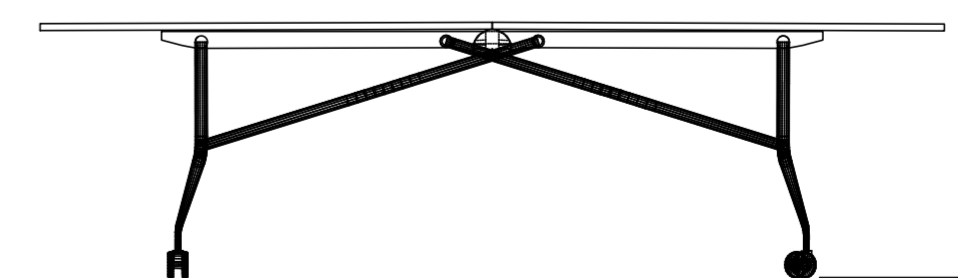
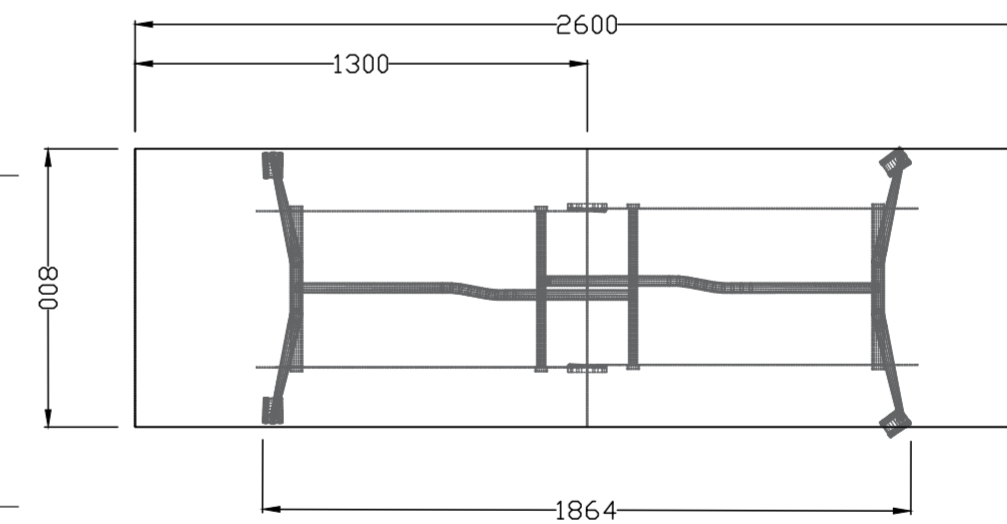
25mm commercial Melamine,
Laminate or Veneer worktops.
Solid wood or ABS edging.

2. Legs

ARGO LIBRO's Legs are all
manufactured using
Powder-coated Steel.
Powder-coated Steel legs,
come in both white and black
variations. Other Colours can be
made available as specified.

3. Frame

ARGO LIBRO's frames are all
manufactured using
Powder-coated Steel. White or Black
Powder-coat comes as standard. Other
Colours can be made available as
specified.



ARGGO LIBRO

TECHNICAL SPECIFICATIONS

ARGO LIBRO

TableS

ARGO LIBRO 2800 x 800 Rectangular Table

Materials Information

1. Tops

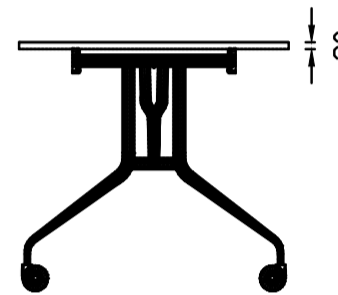
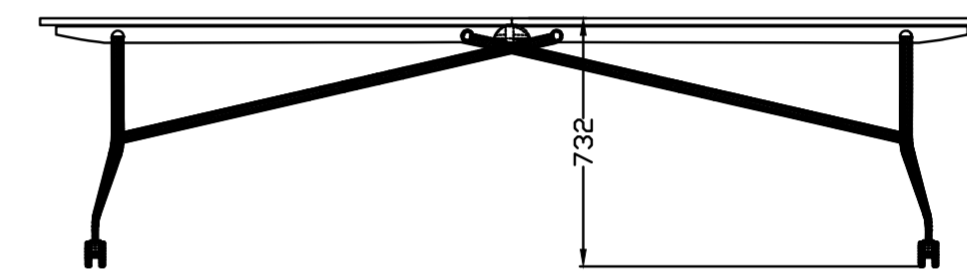
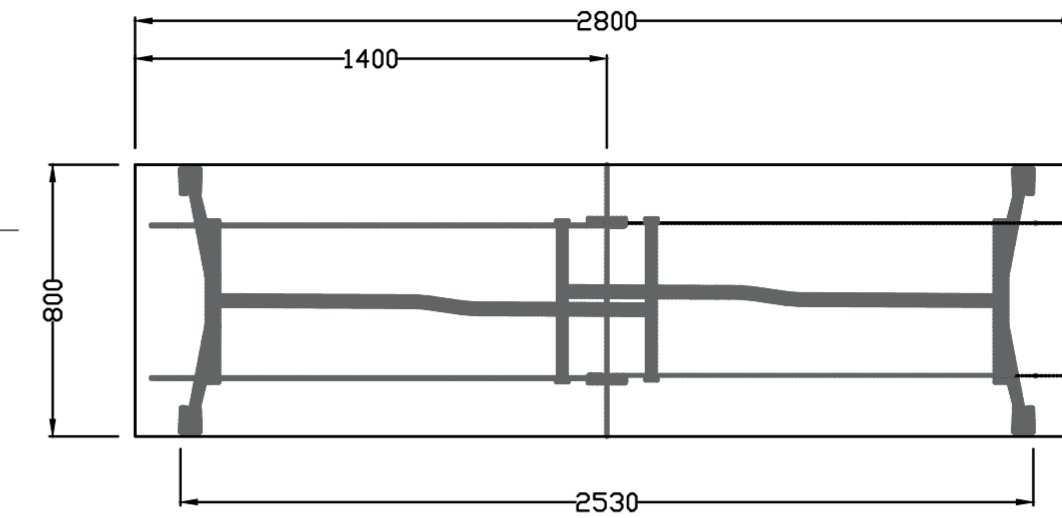
25mm commercial Melamine, Laminate or Veneer worktops. Solid wood or ABS edging.

2. Legs

ARGO LIBRO's Legs are all manufactured using Powder-coated Steel. Powder-coated Steel legs, come in both white and black variations. Other Colours can be made available as specified.

3. Frame

ARGO LIBRO's frames are all manufactured using Powder-coated Steel. White or Black Powder-coat comes as standard. Other Colours can be made available as specified.



ARGO LIBRO 2200mm Rectangular Table

Materials Information

1. Tops

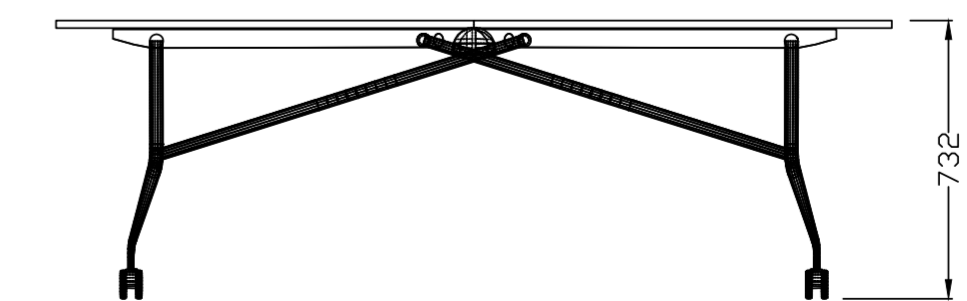
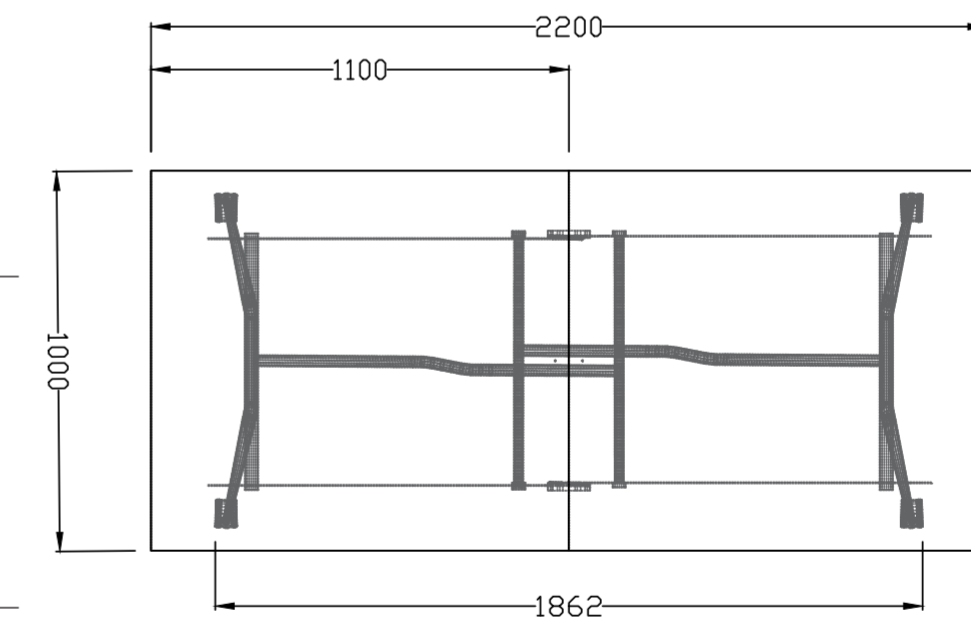
25mm commercial Melamine, Laminate or Veneer worktops. Solid wood or ABS edging.

2. Legs

ARGO LIBRO's Legs are all manufactured using Powder-coated Steel. Powder-coated Steel legs, come in both white and black variations. Other Colours can be made available as specified.

3. Frame

ARGO LIBRO's frames are all manufactured using Powder-coated Steel. White or Black Powder-coat comes as standard. Other Colours can be made available as specified.



ARGGO LIBRO

TECHNICAL SPECIFICATIONS

ARGO LIBRO

TableS

ARGO LIBRO T 1800mm Round Table

Materials Information

1. Tops

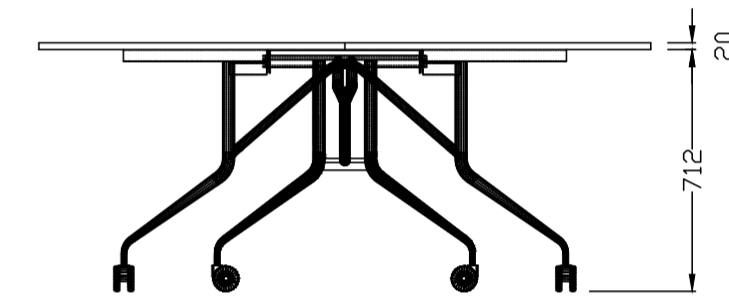
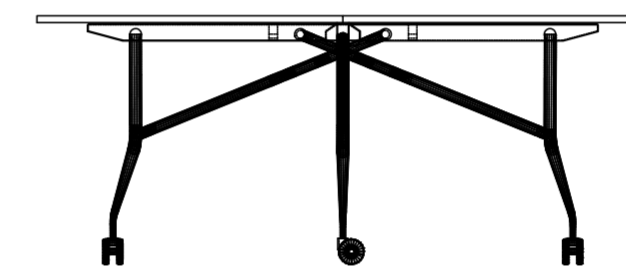
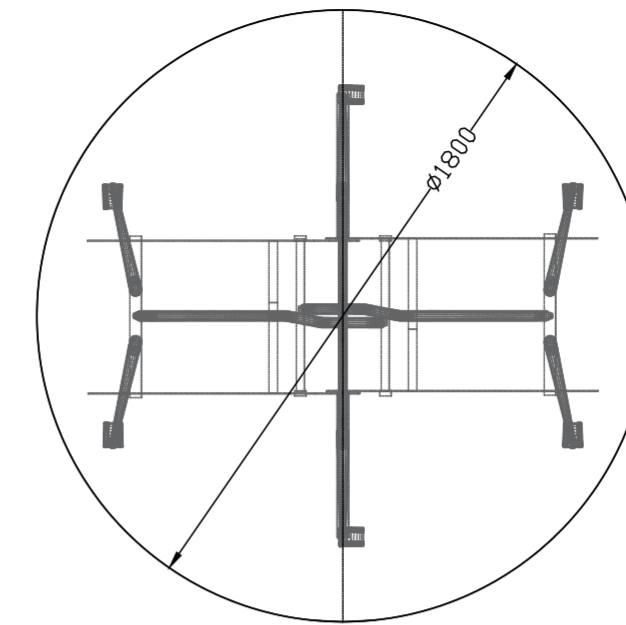
25mm commercial Melamine,
Laminate or Veneer worktops.
Solid wood or ABS edging.

2. Legs

ARGO LIBRO's Legs are all
manufactured using
Powder-coated Steel.
Powder-coated Steel legs,
come in both white and black
variations. Other Colours can be
made available as specified.

3. Frame

ARGO LIBRO's frames are all
manufactured using
Powder-coated Steel. White or Black
Powder-coat comes as standard. Other
Colours can be made available as
specified.



ARGO LIBRO T 1600mm Round Table

Materials Information

1. Tops

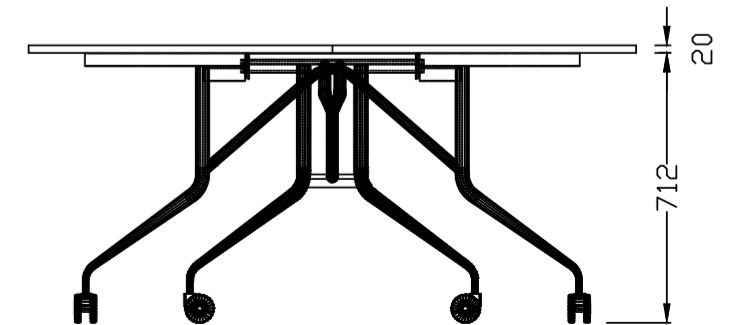
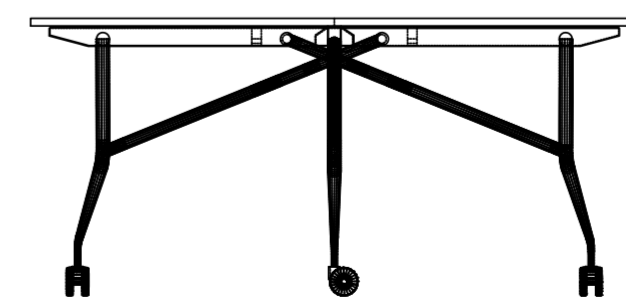
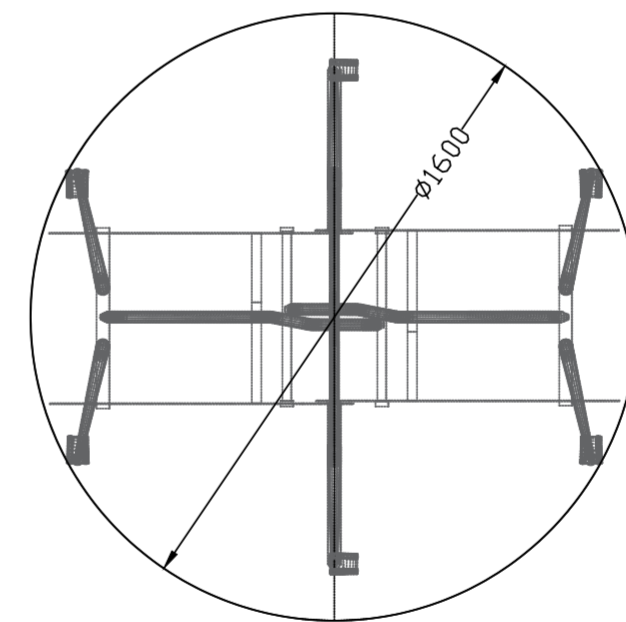
25mm commercial Melamine,
Laminate or Veneer worktops.
Solid wood or ABS edging.

2. Legs

ARGO LIBRO's Legs are all
manufactured using
Powder-coated Steel.
Powder-coated Steel legs,
come in both white and black
variations. Other Colours can be
made available as specified.

3. Frame

ARGO LIBRO's frames are all
manufactured using
Powder-coated Steel. White or Black
Powder-coat comes as standard. Other
Colours can be made available as
specified.



ARGGO LIBRO

TECHNICAL SPECIFICATIONS

ARGO LIBRO

TableS

ARGO LIBRO T Oval
Table

Materials Information

1. Tops

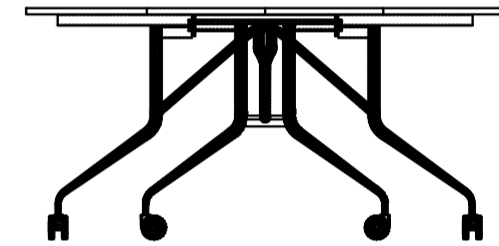
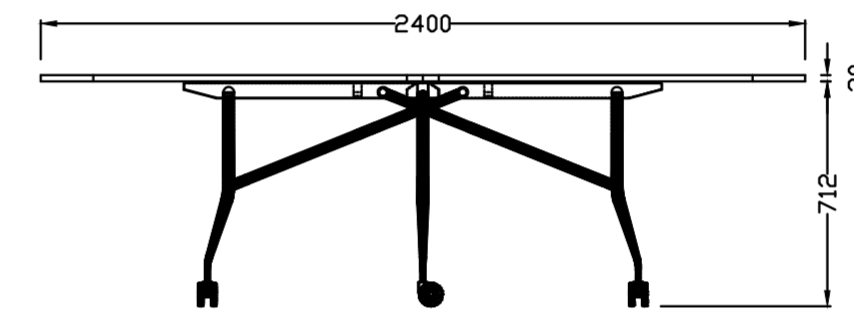
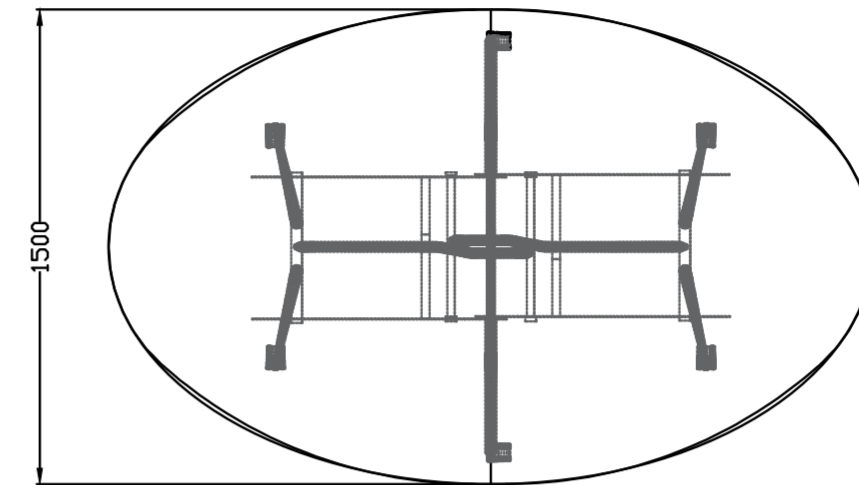
25mm commercial Melamine,
Laminate or Veneer worktops.
Solid wood or ABS edging.

2. Legs

ARGO LIBRO's Legs are all
manufactured using
Powder-coated Steel.
Powder-coated Steel legs,
come in both white and black
variations. Other Colours can be
made available as specified.

3. Frame

ARGO LIBRO's frames are all
manufactured using
Powder-coated Steel. White or Black
Powder-coat comes as standard. Other
Colours can be made available as
specified.



ARGGO LIBRO

TECHNICAL SPECIFICATIONS

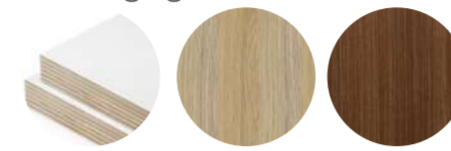
ARGO LIBRO

FINISHES

Adroit and versatile, the ARGO LIBRO series yields the importance of adaptability for your own needs, offering a range of finishes and configurations to suit any office space.

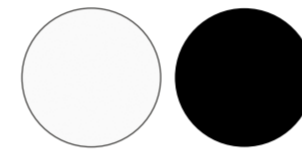
1. Tops

25mm commercial Melamine, Laminate or Veneer worktops. Solid wood or ABS edging.



2. Legs and Frame

ARGO LIBRO's Legs and frame are all manufactured using Powder-coated Steel. Powder-coated Steel legs, come in both white and black variations. Other Colours can be made available as specified.





ARGO LIBRO

A SPACE SAVING FAMILY OF TABLES AIMED AT PROMOTING EFFICIENCY AND FLEXIBILITY IN THE WORKPLACE THE ARGO LIBRO RANGE ALLOWS YOU TO EXPLOIT YOUR WORKING FLOORPLAN TO THE GREATEST EXTENT, WITH A RANGE OF TABLES THAT SIMPLY FOLD TO ALLOW YOU TO GET THE MOST OUT OF YOUR WORKING SPACE.

SUSTAINABILITY POLICY

WE BELIEVE A TRULY SUSTAINABLE BUSINESS SHOULD EMBRACE ENVIRONMENTAL, SOCIAL AND CULTURAL VALUES. OUR PHILOSOPHY MEANS THAT WE EXAMINE EVERYTHING WE DO TO MINIMISE OUR IMPACT ON THE ENVIRONMENT STARTING WITH THE DESIGN OF OUR PRODUCTS, THE SELECTION OF MATERIALS, MANUFACTURING, ASSEMBLY AND INSTALLATION, PRACTICES IN OUR OFFICES AND ACCEPTING THE RESPONSIBILITY FOR OUR PRODUCTS' LIFE CYCLES.

ENVIRONMENTAL POLICY

RJ OFFICE HAS BEEN ON A SUSTAINABILITY JOURNEY SINCE 2008, ACHIEVING ENVIRONMENTAL PRODUCT CERTIFICATION AND IN 2009 ATTAINING ISO14001 EMS CERTIFICATION. AS PART OF OUR ENVIRONMENTAL MANAGEMENT SYSTEM, WE ARE COMMITTED TO CONTINUALLY IMPROVING OUR ENVIRONMENTAL PRACTICES TO ENSURE THAT WE MAINTAIN A BALANCE BETWEEN THE ENVIRONMENT AND OUR BUSINESS.

PRODUCT STEWARDSHIP POLICY

OUR PRODUCT STEWARDSHIP POLICY FOR RJ PRODUCTS PROVIDES USERS WITH A NUMBER OF OPTIONS.

WE ENCOURAGE OUR CUSTOMERS TO CONTACT US ABOUT RETURN OF OUR PRODUCTS. IF THE PRODUCTS CANNOT BE REUSED OR REFURBISHED, RJ OFFICE COMMITS TO TAKE THE PRODUCTS BACK, AT AN AGREED COST, AND ENSURE THAT THEY ARE DISASSEMBLED AND THE COMPONENTS ARE RECYCLED OR WHERE APPROPRIATE DISPOSED OF RESPONSIBLY.

PHONE: (02) 9299 9090

RJ OFFICE P/L
COPYRIGHT 2020
ALL RIGHTS RESERVED

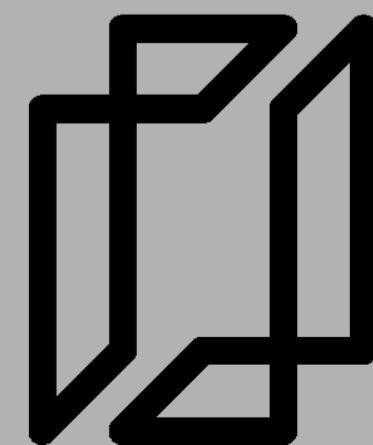
SHOWROOM

25 SHELLEY ST
KING STREET WHARF
SYDNEY NSW 2000
T: +61 2 9299 9090

LOGISTICS

BUILDING 2
112 LILYFIELD ROAD
LILYFIELD NSW 2040
T: +61 2 9818 8788

info@rj.com.au
rj.com.au



IMAGINE, INNOVATE, CREATE.

WWW.RJ.COM.AU