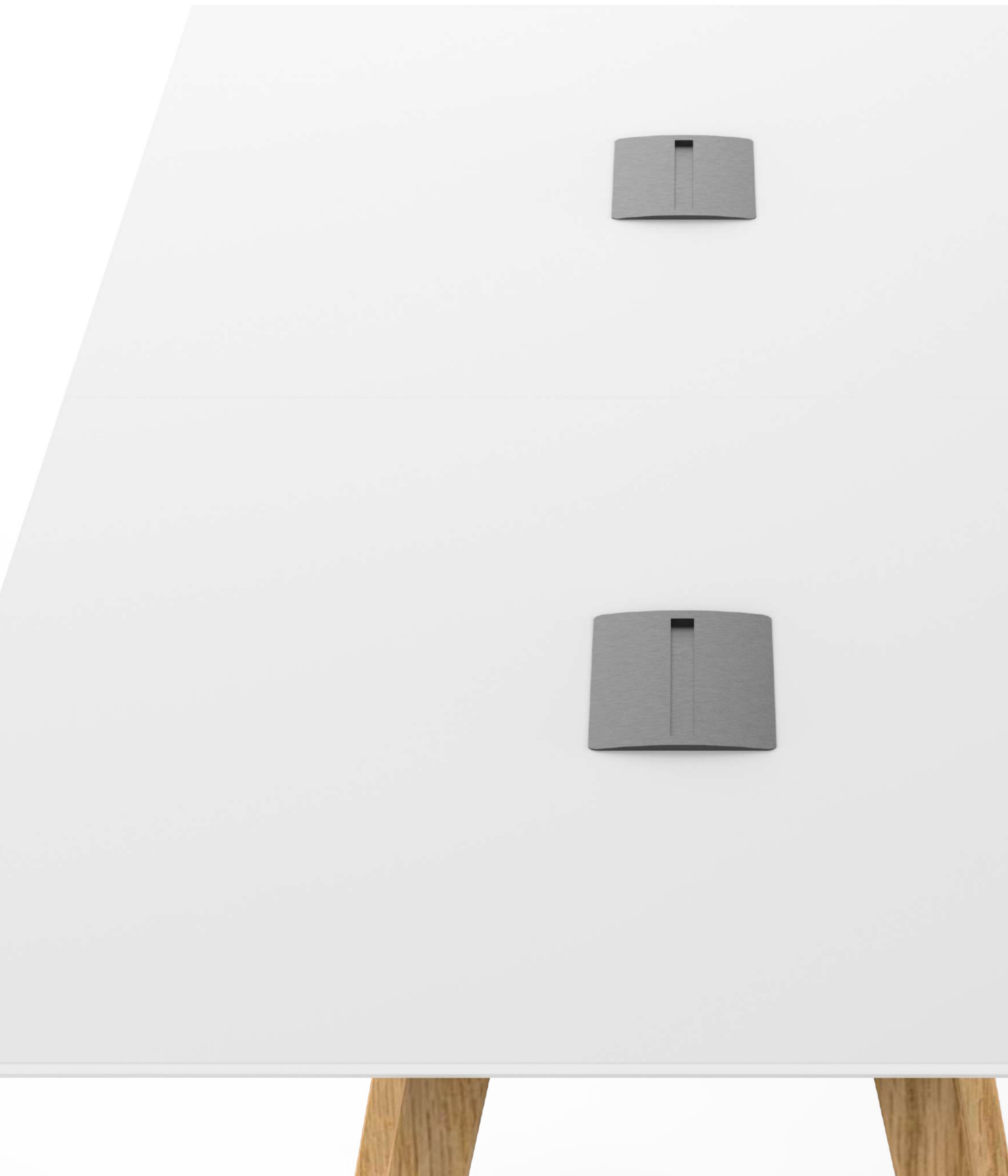




PROJECT-T



PROJECT-T

Minimal in nature and elegant in its approach, the PROJECT-T Desk system provides a refreshing antidote to typical workstations, adding warmth and comfort through its tasteful colour accents and organic use of materials. With both standing and seated-height options available, PROJECT-T is designed to be versatile for your creative and collaborative needs.

Different types of tasks call for different types of support. The PROJECT-T series is designed to be versatile. Available in both standing and seated-height options in a range of configurations, PROJECT-T is designed to create environments where creativity and collaboration flourish.

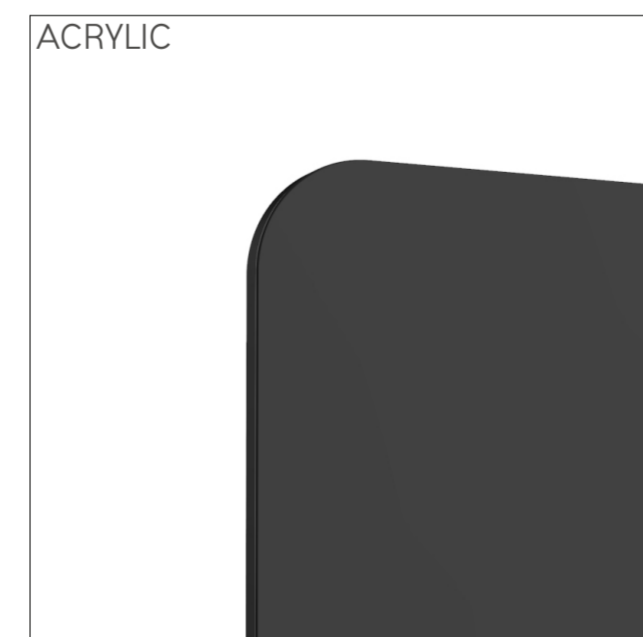
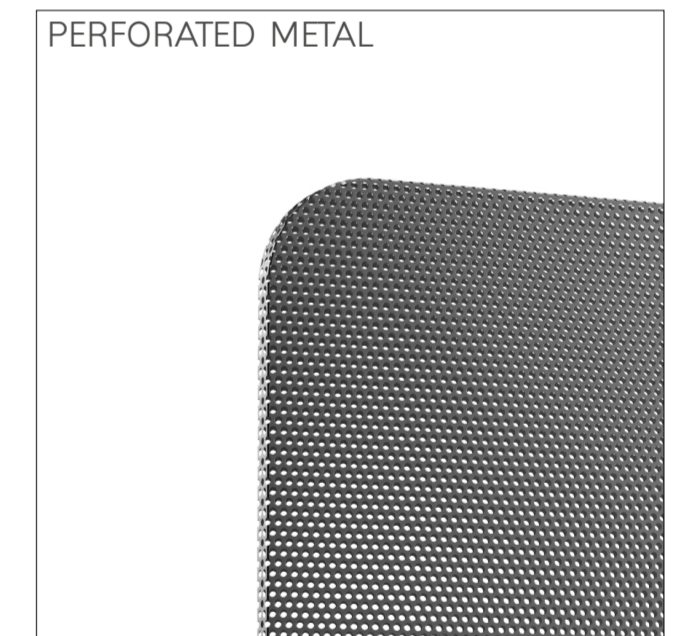


Thinner worktops, organic shapes and solid wood legs come together in PROJECT-T to create a bold statement piece or a classic staple that compliments any space. Available in a range of fabrics and textiles, PROJECT-T always has an aesthetic to match your style.



Privacy screen finishes

Screens are also available in the following finishes:



Created with integrated tabletop power and a sophisticated cable management system, PROJECT-T tables are designed to keep devices powered up and cords hidden away.



01 Versatile performance

Designed in a range of configurations, PROJECT-T has been thoughtfully expressed to create environments which help collaboration and creativity flourish.

02 Single or Two Tier cable trays

PROJECT-T offers both single and two tier cable tray solutions, reticulating power and data cables efficiently to free the workspace for you.

03 Power, voice and data outlets

PROJECT-T power, voice and data outlets are carefully concealed below the desk, decluttering the your workspace.

04 In-desk power boxes or above desk power rails

PROJECT-T adaptable power options allow you to conceal power and data cables using its in-desk power box, or externalise them using PROJECT-T above desk power rails.

05 PROJECT-T's Legs

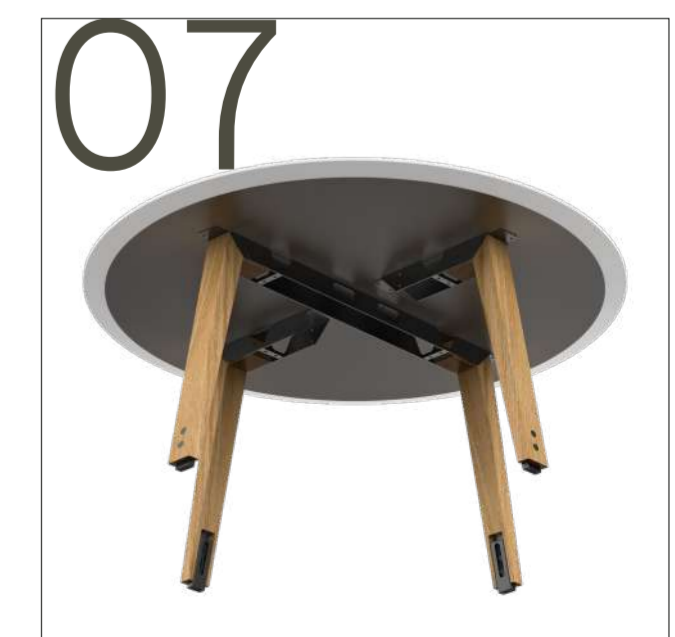
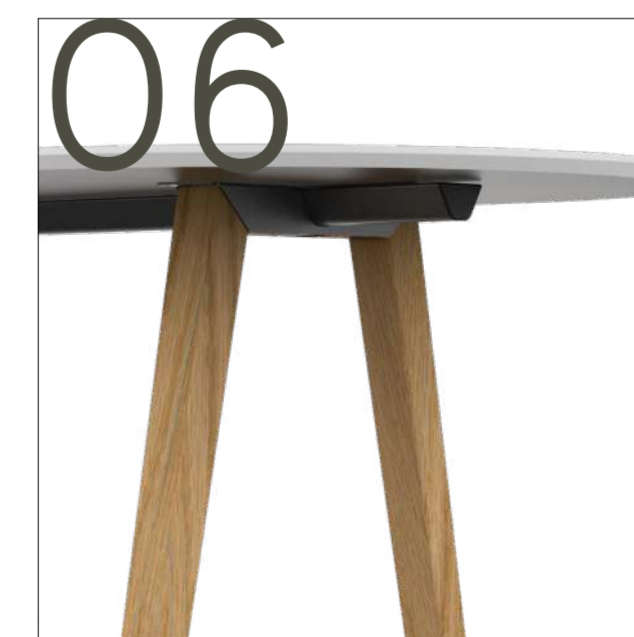
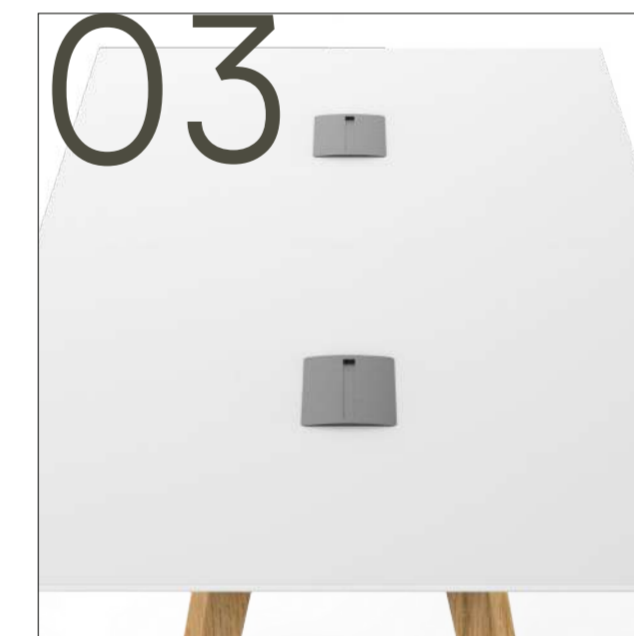
Durable and tactile, PROJECT-T's legs provide the perfect antidote to typical workstation finishes, adding warmth and comfort to spaces through its organic use of materials.

06 PROJECT-T Edge profiles

Available in 25mm melamine, laminate or plywood, PROJECT-T offers both square and round edge profiles.

07 PROJECT-T accessories

The PROJECT-T series comes with a family of accessories and adjustable add-ons, allowing you to tailor PROJECT-T for your own individual workspace needs.



PROJECT-T can be adapted to individual requirements with a combination of accessories, allowing you to tailor the working space for your working needs.



PROJECT-T

TECHNICAL SPECIFICATIONS

PROJECT-T

WORKSTATIONS

PROJECT-T Linear Single

Materials Information

1. Tops

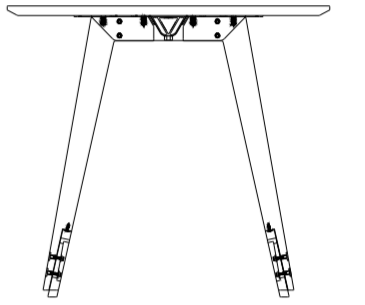
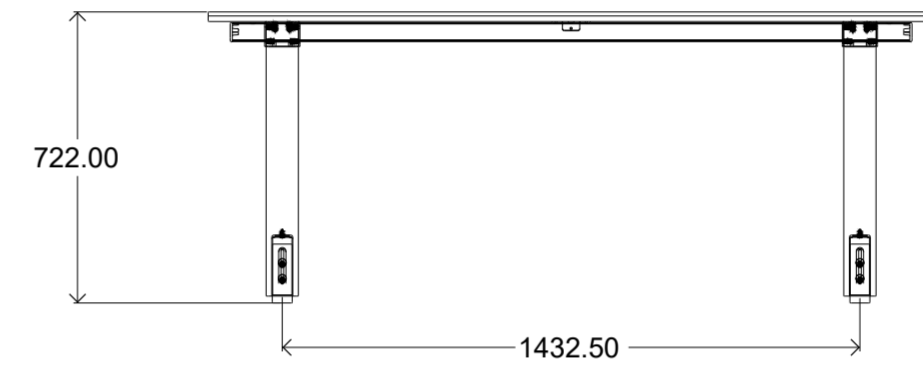
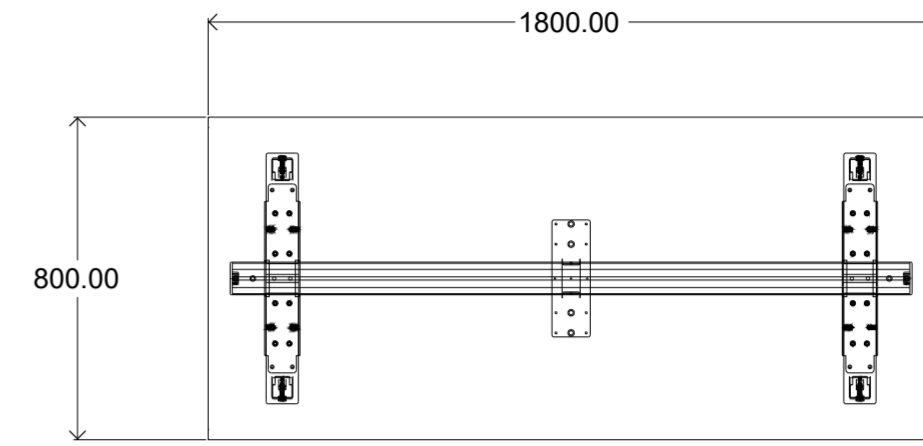
25mm commercial Melamine, Laminate or Veneer worktops. Solid wood or ABS edging.

2. Legs and Frame

PROJECT-T's Legs are all manufactured using Oak timber, available in a range of stains. Contact our team to find out more about our stain options.

3. Frame Finishes

PROJECT-T's frames are all manufactured using powder-coated Steel. White or Black powder-coat comes as standard. Other Colours can be made available as specified.



PROJECT-T Meeting Table

Materials Information

1. Tops

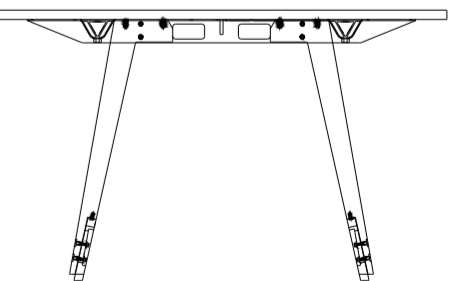
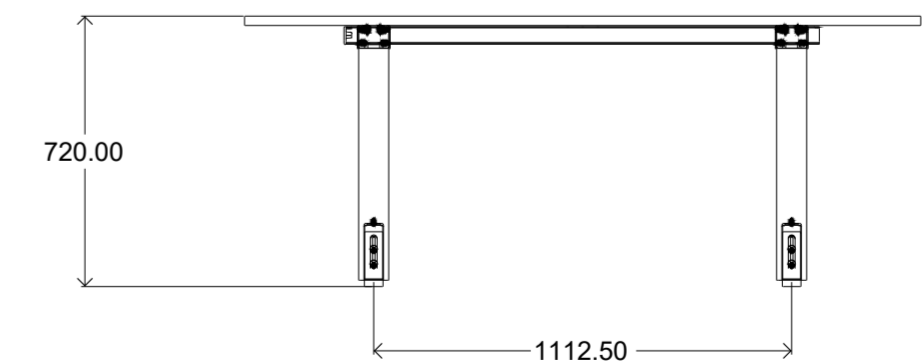
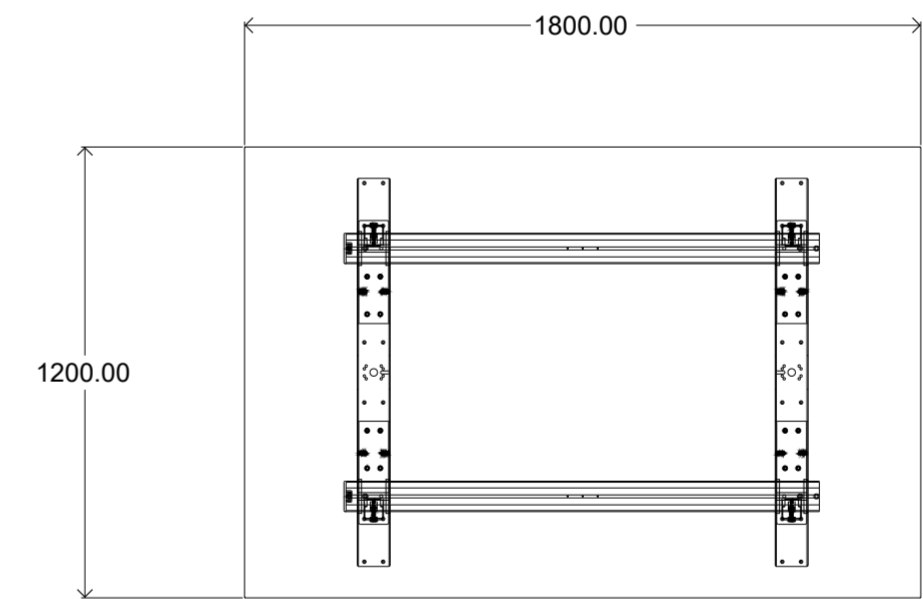
25mm commercial Melamine, Laminate or Veneer worktops. Solid wood or ABS edging.

2. Legs

PROJECT-T's Legs are all manufactured using Oak timber, available in a range of stains. Contact our team to find out more about our stain options.

3. Frame Finishes

PROJECT-T's frames are all manufactured using powder-coated Steel. White or Black powder-coat comes as standard. Other Colours can be made available as specified.



PROJECT-T

TECHNICAL SPECIFICATIONS

PROJECT-T

TABLES

PROJECT-T Round Meeting Table

Materials Information

1. Tops

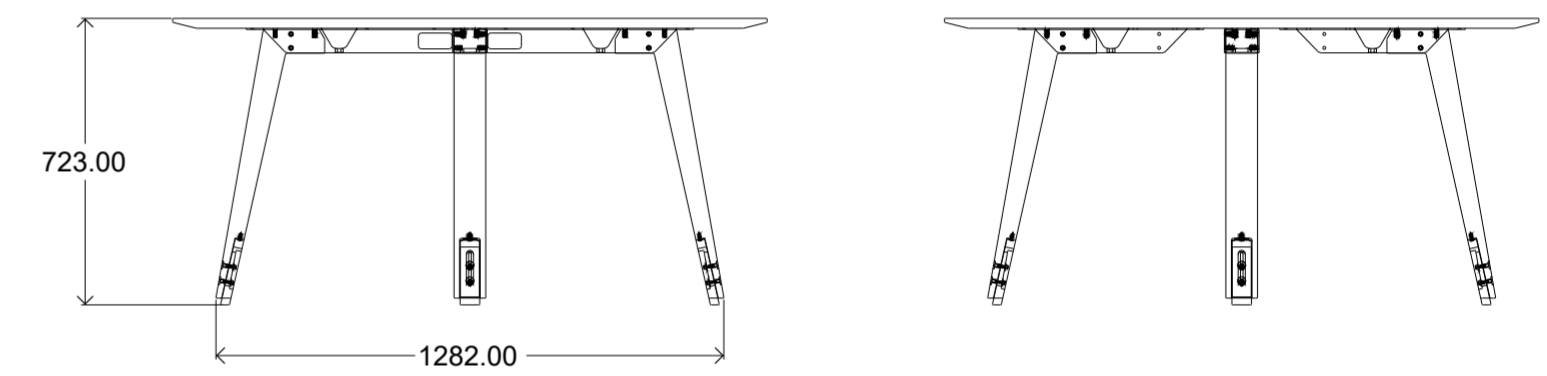
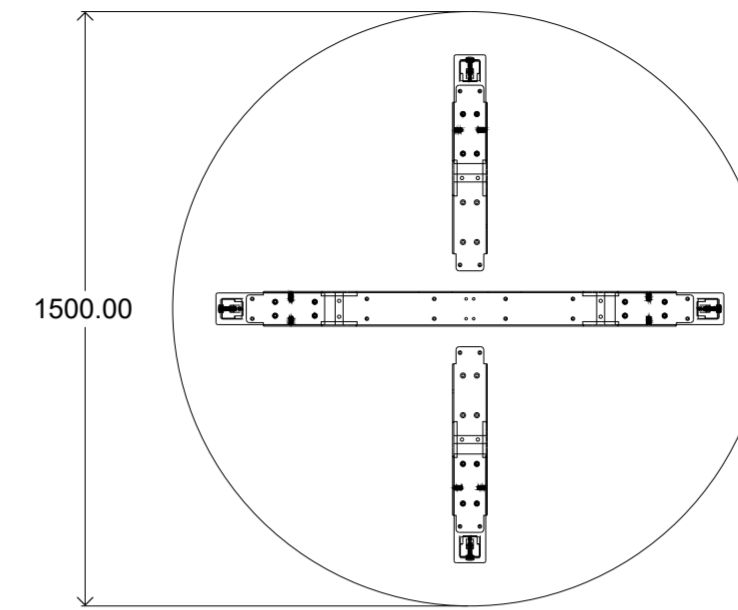
25mm commercial Melamine, Laminate or Veneer worktops. Solid wood or ABS edging.

2. Legs and Frame

PROJECT-T's Legs are all manufactured using Oak timber, available in a range of stains. Contact our team to find out more about our stain options.

3. Frame Finishes

PROJECT-T's frames are all manufactured using powder-coated Steel. White or Black powder-coat comes as standard. Other Colours can be made available as specified.



PROJECT-T High Table

Materials Information

1. Tops

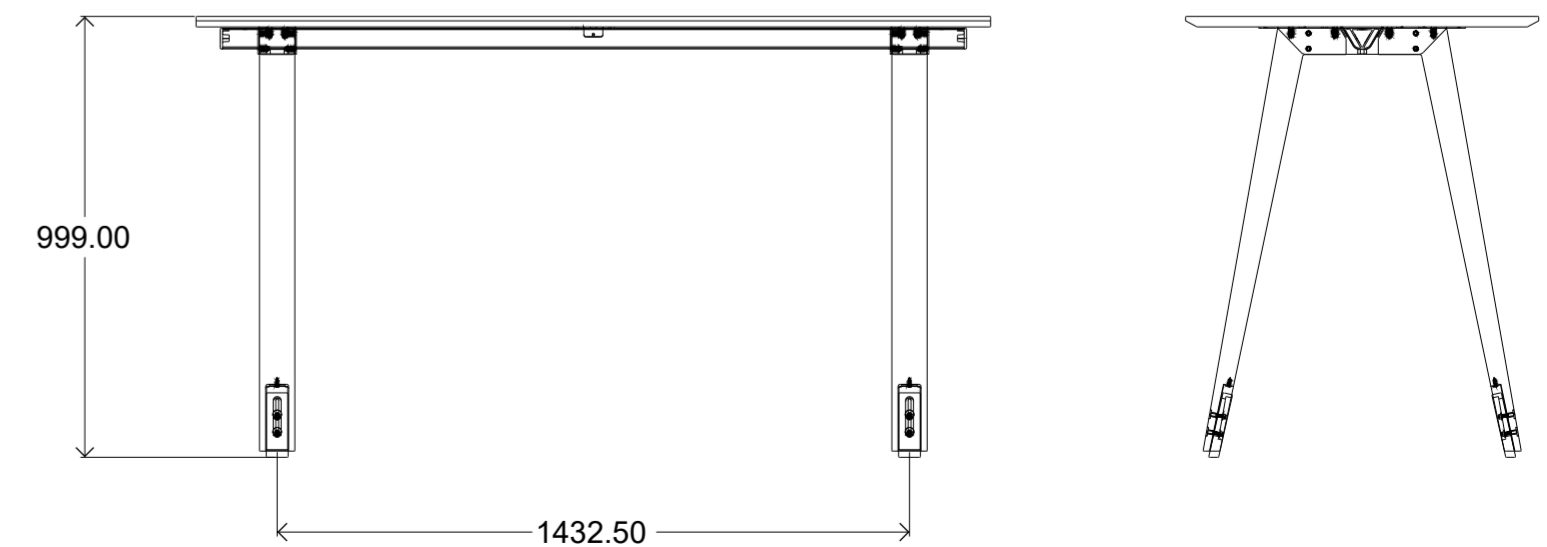
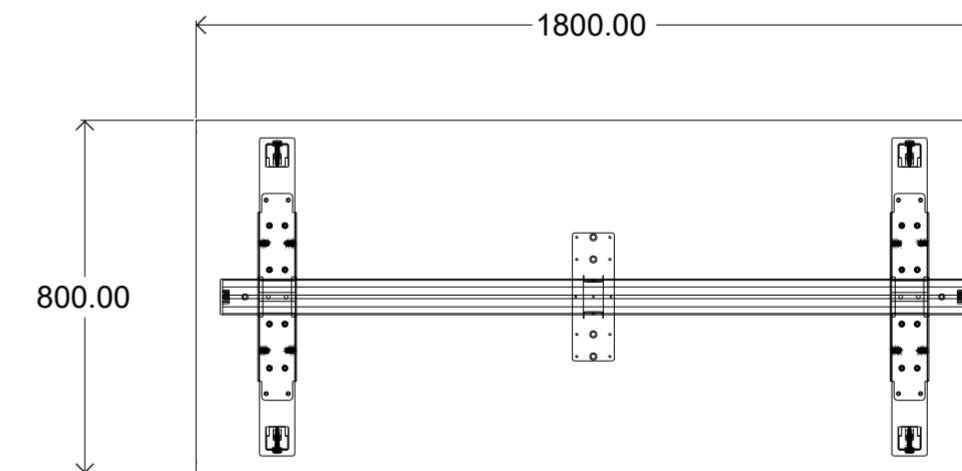
25mm commercial Melamine, Laminate or Veneer worktops. Solid wood or ABS edging.

2. Legs

PROJECT-T's Legs are all manufactured using Oak timber, available in a range of stains. Contact our team to find out more about our stain options.

3. Frame Finishes

PROJECT-T's frames are all manufactured using powder-coated Steel. White or Black powder-coat comes as standard. Other Colours can be made available as specified.



PROJECT-T

TECHNICAL SPECIFICATIONS

PROJECT-T

TABLES

PROJECT-T Conference Table

Materials Information

1. Tops

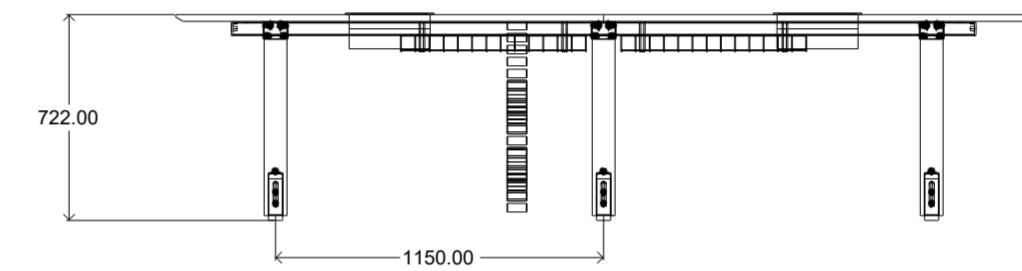
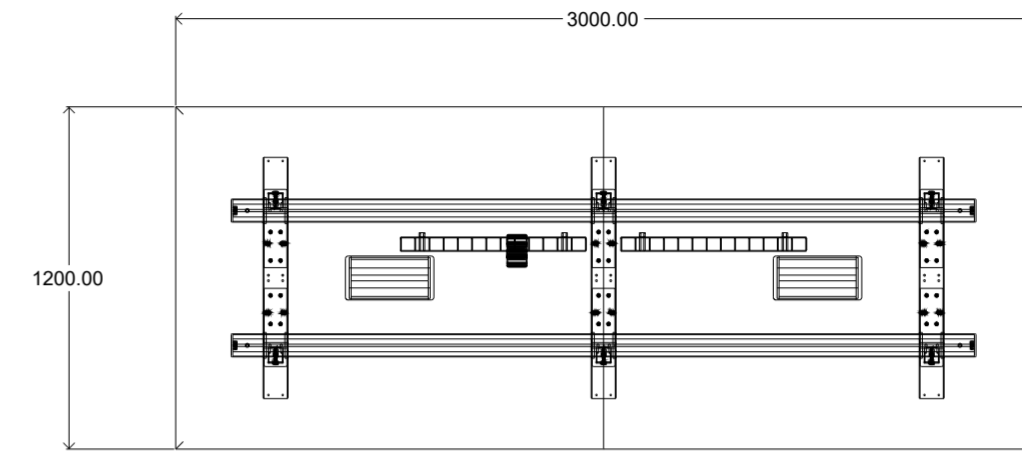
25mm commercial Melamine, Laminate or Veneer worktops. Solid wood or ABS edging.

2. Legs and Frame

PROJECT-T's Legs are all manufactured using Oak timber, available in a range of stains. Contact our team to find out more about our stain options.

3. Frame Finishes

PROJECT-T's frames are all manufactured using powder-coated Steel. White or Black powder-coat comes as standard. Other Colours can be made available as specified.



PROJECT-T Curved Conference Table

Materials Information

1. Tops

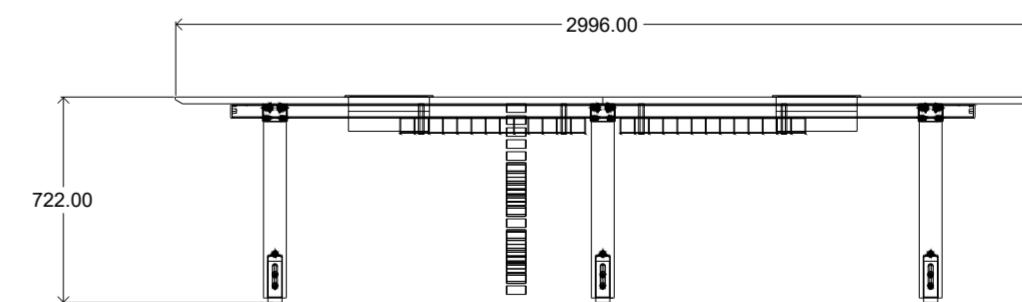
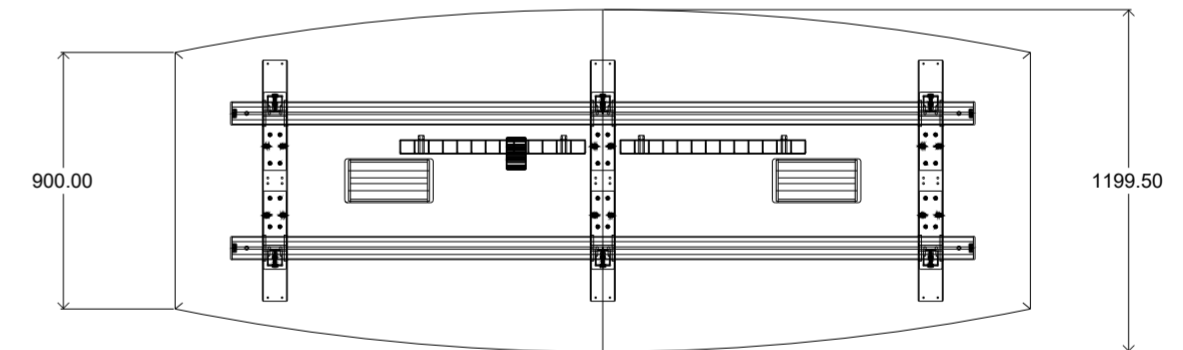
25mm commercial Melamine, Laminate or Veneer worktops. Solid wood or ABS edging.

2. Legs and Frame

PROJECT-T's Legs are all manufactured using Oak timber, available in a range of stains. Contact our team to find out more about our stain options.

3. Frame Finishes

PROJECT-T's frames are all manufactured using powder-coated Steel. White or Black powder-coat comes as standard. Other Colours can be made available as specified.



PROJECT-T

TABLES

PROJECT-T High Conference Table

Materials Information

1. Tops

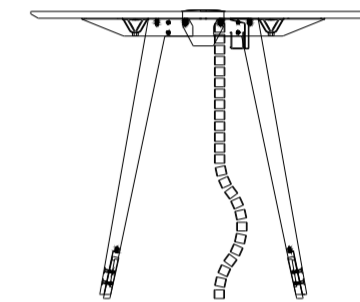
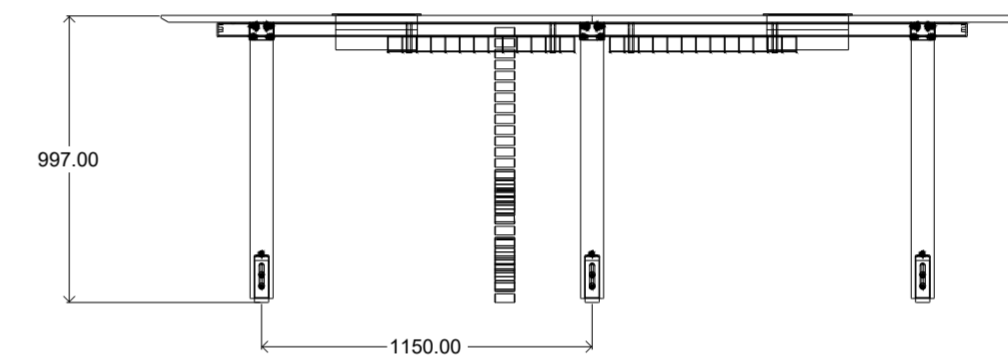
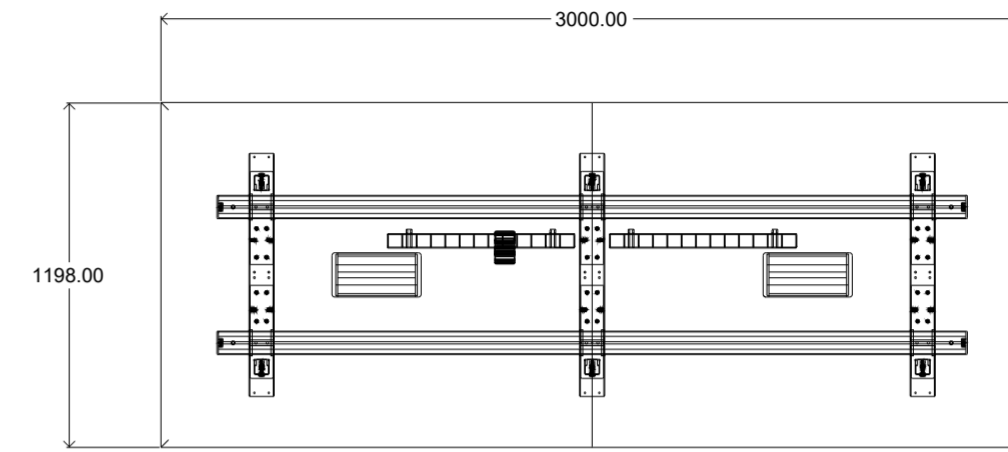
25mm commercial Melamine,
Laminate or Veneer worktops.
Solid wood or ABS edging.

2. Legs and Frame

PROJECT-T's Legs are all
manufactured using
Oak timber, available in a range of
stains. Contact our team to find out
more about our stain options.

3. Frame Finishes

PROJECT-T's frames are all
manufactured using
powder-coated Steel. White or Black
powder-coat comes as standard. Other
Colours can be made available as
specified.



PROJECT-T High D-end Conference Table

Materials Information

1. Tops

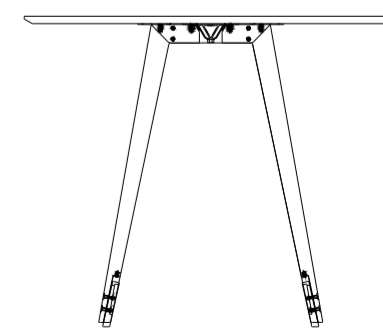
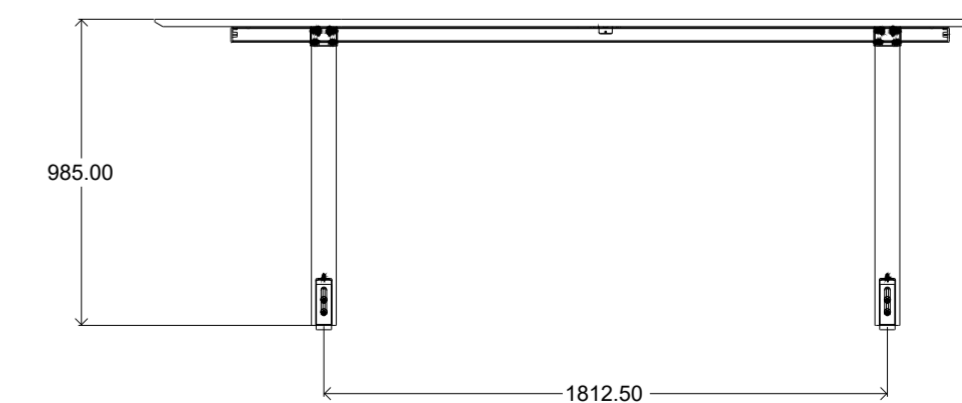
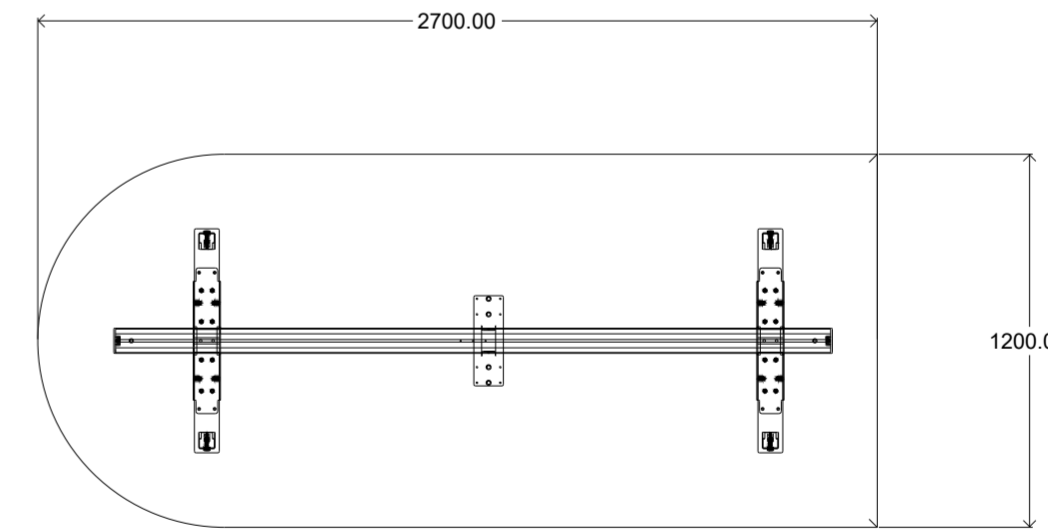
25mm commercial Melamine,
Laminate or Veneer worktops.
Solid wood or ABS edging.

2. Legs and Frame

PROJECT-T's Legs are all
manufactured using
Oak timber, available in a range of
stains. Contact our team to find out
more about our stain options.

3. Frame Finishes

PROJECT-T's frames are all
manufactured using
powder-coated Steel. White or Black
powder-coat comes as standard. Other
Colours can be made available as
specified.



PROJECT-T

TECHNICAL SPECIFICATIONS

PROJECT-T

TABLES

PROJECT-T Back-to-back
Cluster of four Workstation

Materials Information

1. Tops

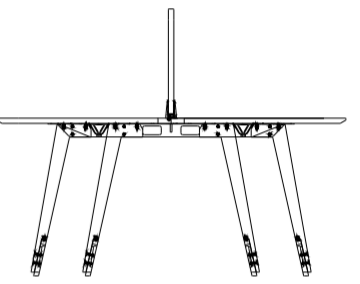
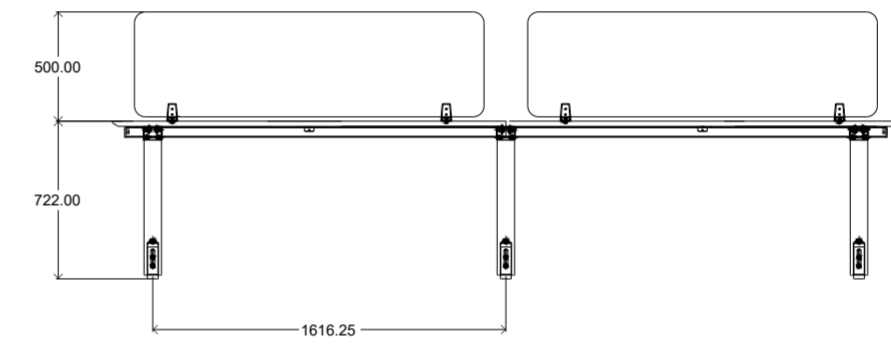
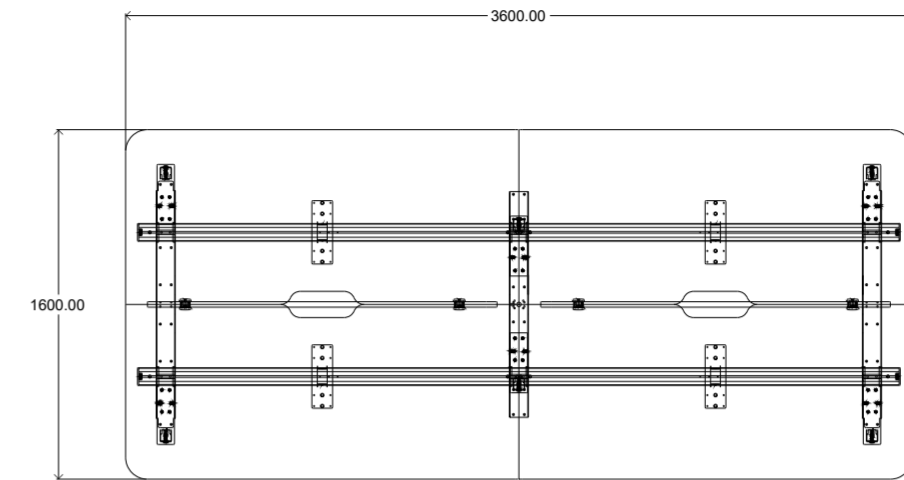
25mm commercial Melamine,
Laminate or Veneer worktops.
Solid wood or ABS edging.

2. Legs and Frame

PROJECT-T's Legs are all
manufactured using
Oak timber, available in a range of
stains. Contact our team to find out
more about our stain options.

3. Frame Finishes

PROJECT-T's frames are all
manufactured using
powder-coated Steel. White or Black
powder-coat comes as standard. Other
Colours can be made available as
specified.



PROJECT-T

TECHNICAL SPECIFICATIONS

PROJECT-T

FINISHES

Adroit and versatile, PROJECT-T yields the importance of adaptability for your own needs, offering a range of finishes and configurations to suit any office space.

1. Tops

25mm commercial Melamine, Laminate or Veneer worktops. Solid wood or ABS edging.



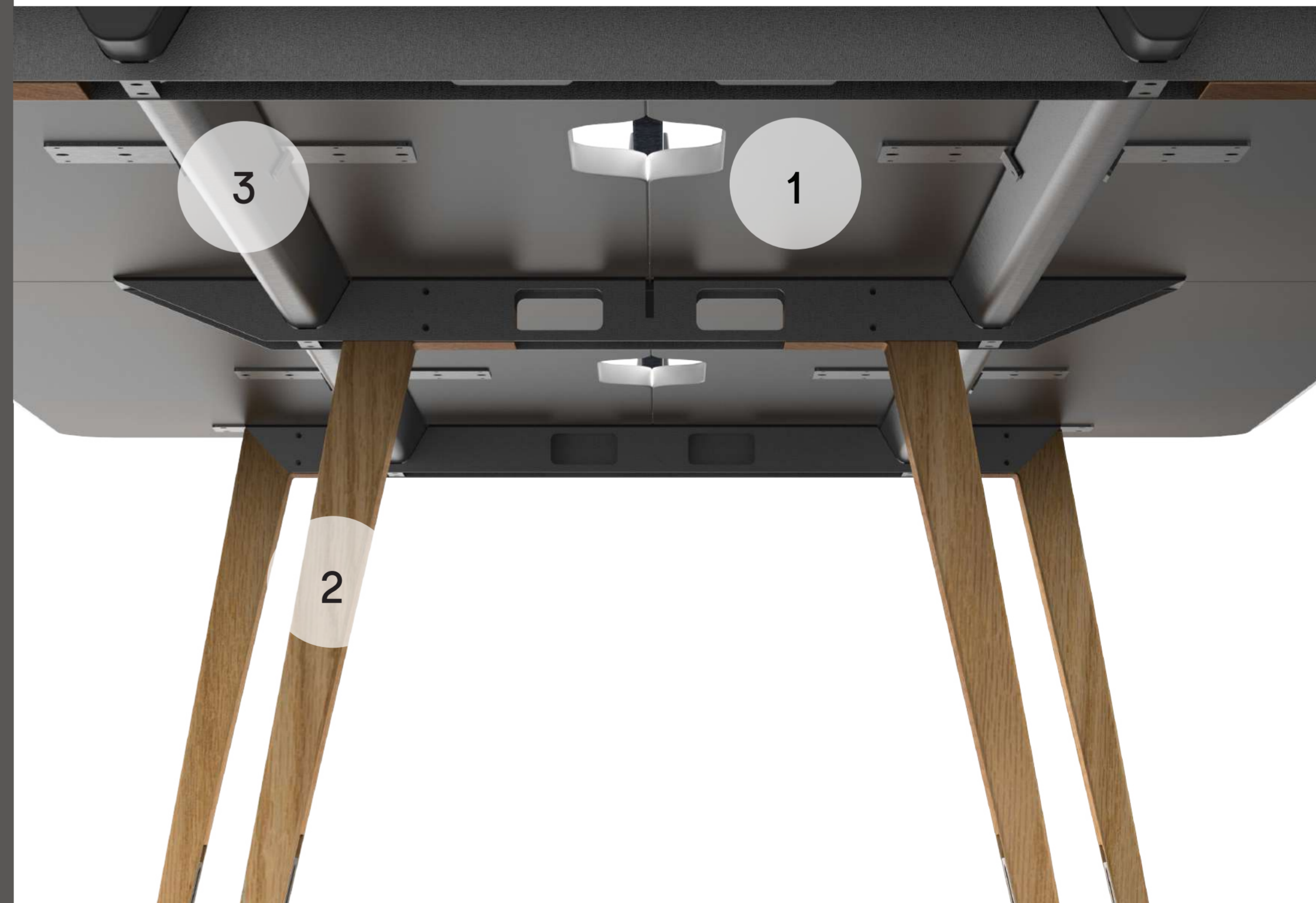
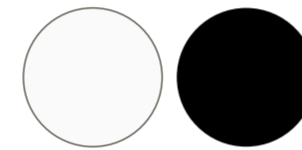
2. Legs

PROJECT-T's Legs are all manufactured using Oak timber, available in a range of stains. Contact our team to find out more about our stain options.



3. Frame Finishes

PROJECT-T's frames are all manufactured using powder-coated Steel. White or Black powder-coat comes as standard. Other Colours can be made available as specified.





PROJECT-T

MINIMAL IN NATURE AND ELEGANT IN ITS APPROACH, THE PROJECT-T DESK SYSTEM PROVIDES A REFRESHING ANTIDOTE TO TYPICAL WORKSTATIONS, ADDING WARMTH AND COMFORT THROUGH ITS TASTEFUL COLOUR ACCENTS AND ORGANIC USE OF MATERIALS. WITH BOTH STANDING AND SEATED-HEIGHT OPTIONS AVAILABLE, PROJECT-T IS DESIGNED TO BE VERSATILE FOR YOUR CREATIVE AND COLLABORATIVE NEEDS.

SUSTAINABILITY POLICY

WE BELIEVE A TRULY SUSTAINABLE BUSINESS SHOULD EMBRACE ENVIRONMENTAL, SOCIAL AND CULTURAL VALUES. OUR PHILOSOPHY MEANS THAT WE EXAMINE EVERYTHING WE DO TO MINIMISE OUR IMPACT ON THE ENVIRONMENT, STARTING WITH THE DESIGN OF OUR PRODUCTS, THE SELECTION OF MATERIALS, MANUFACTURING, ASSEMBLY AND INSTALLATION PRACTICES IN OUR OFFICES AND ACCEPTING THE RESPONSIBILITY FOR OUR PRODUCTS' LIFE CYCLES.

ENVIRONMENTAL POLICY

RJ OFFICE HAS BEEN ON A SUSTAINABILITY JOURNEY SINCE 2008, ACHIEVING ENVIRONMENTAL PRODUCT CERTIFICATION AND IN 2009, ATTAINING ISO14001 EMS CERTIFICATION. AS PART OF OUR ENVIRONMENTAL MANAGEMENT SYSTEM, WE ARE COMMITTED TO CONTINUALLY IMPROVING OUR ENVIRONMENTAL PRACTICES TO ENSURE THAT WE MAINTAIN A BALANCE BETWEEN THE ENVIRONMENT AND OUR BUSINESS.

PRODUCT STEWARDSHIP POLICY

OUR PRODUCT STEWARDSHIP POLICY FOR RJ PRODUCTS PROVIDES USERS WITH A NUMBER OF OPTIONS.

WE ENCOURAGE OUR CUSTOMERS TO CONTACT US ABOUT RETURN OF OUR PRODUCTS. IF THE PRODUCTS CANNOT BE REUSED OR REFURBISHED, RJ OFFICE COMMITS TO TAKE THE PRODUCTS BACK, AT AN AGREED COST, AND ENSURE THAT THEY ARE DISASSEMBLED AND THE COMPONENTS ARE RECYCLED OR WHERE APPROPRIATE DISPOSED OF RESPONSIBLY.

PHONE: (02) 9299 9090

RJ OFFICE P/L
COPYRIGHT 2020
ALL RIGHTS RESERVED

SHOWROOM

25 SHELLEY ST
KING STREET WHARF
SYDNEY NSW 2000
T: +61 2 9299 9090

LOGISTICS

BUILDING 2
112 LILYFIELD ROAD
LILYFIELD NSW 2040
T: +61 2 9818 8788

info@rj.com.au
rj.com.au



IMAGINE, INNOVATE, CREATE.

WWW.RJ.COM.AU