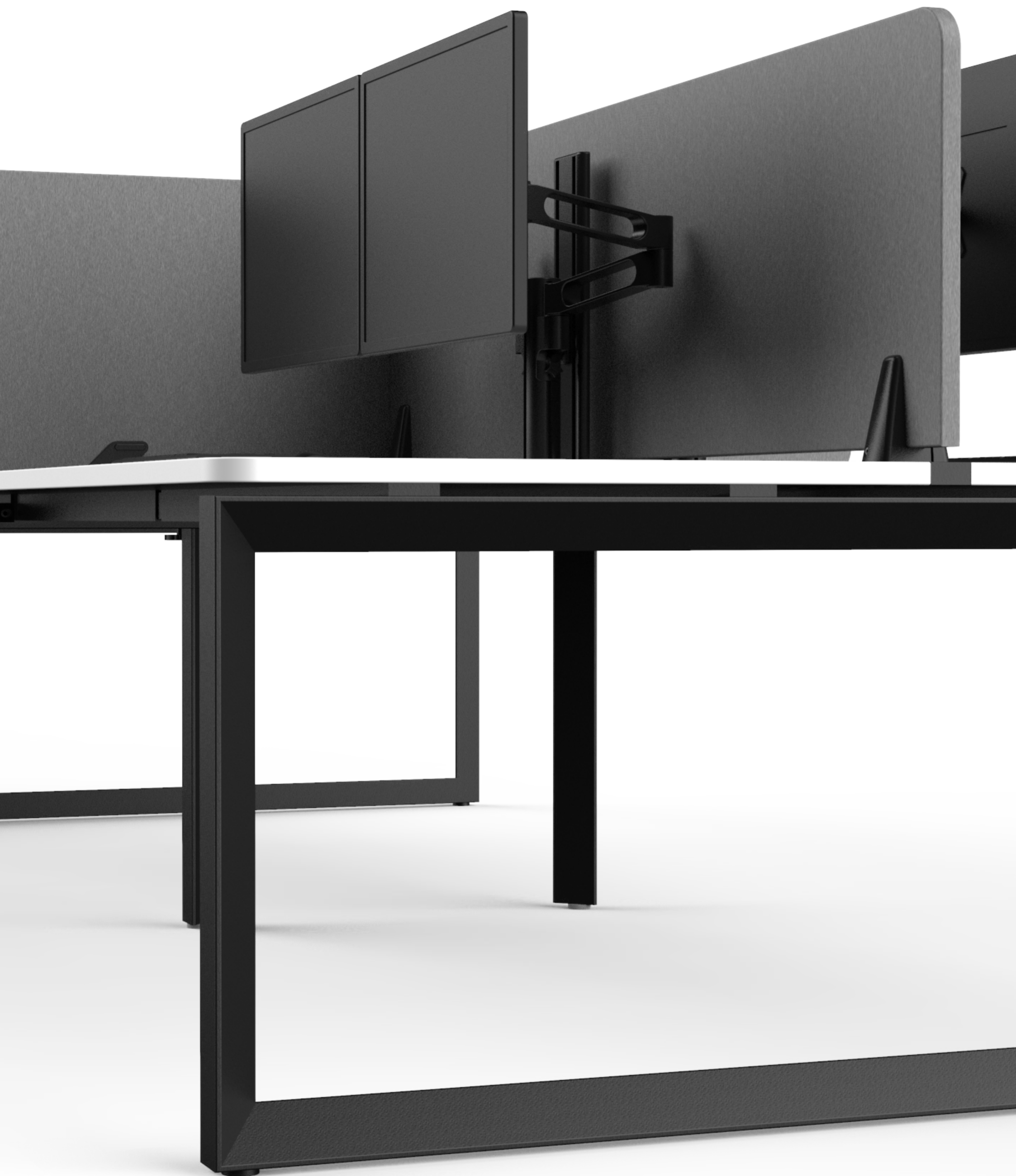


MIKI





MIKI

Through the elegance of materials and clever design, MIKI adds a sophisticated architectural element to modern office workspaces. Welded support legs give MIKI an undeniably sleek and minimal profile that can be easily integrated into any space.

MIKI is a desking system designed with you in mind. The MIKI series brings workplace functionality to the crux of the design, empowering functionality and productivity without sacrificing style.

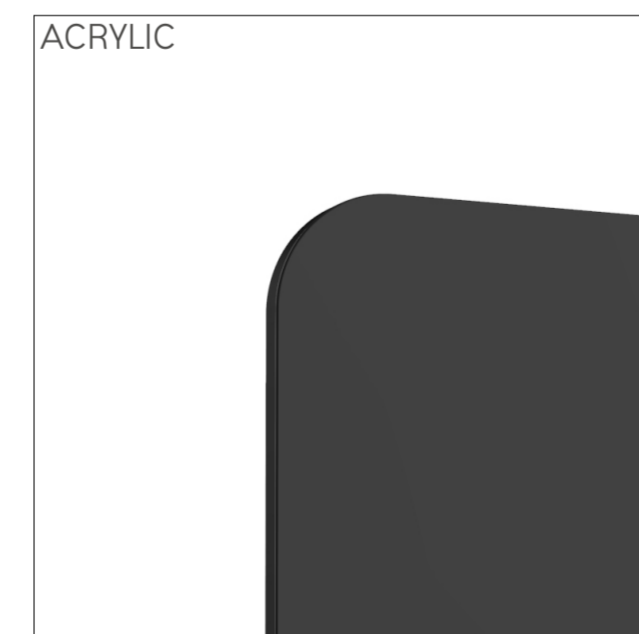
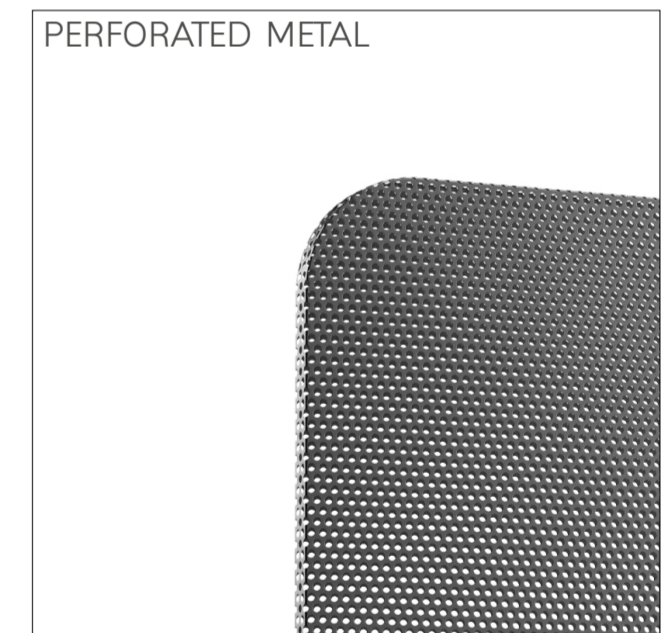


MIKI comes standard with a range of suitable privacy screen solutions, providing visual and audio privacy when needed. MIKI's screens can either be located above the desktop, or as modesty panels extending below the desk.



Privacy screen finishes

Screens are also available in the following finishes:



With an integrated power trough and a sophisticated cable management system, MIKI is designed to keep your devices powered up as discretely as possible.

01 The MIKI Linear single Workstation.

The MIKI workstation offers a variety of configurations, available in Back to Back, Linear Single Desk and Side-by-side variations.

02 Single or Two Tier cable trays

MIKI offers both single and two tier cable tray solutions, reticulating power and data cables efficiently to free the workspace for you.

03 Power, voice and data outlets

MIKI power, voice and data outlets are carefully concealed below the desk, decluttering the your workspace.

04 In-desk power boxes or above desk power rails

MIKI adaptable power options allow you to conceal power and data cables using its in-desk power box, or externalise them using MIKI above desk power rails.

05 Vertical power management from the ceiling via Power poles, power blades or umbilicals.

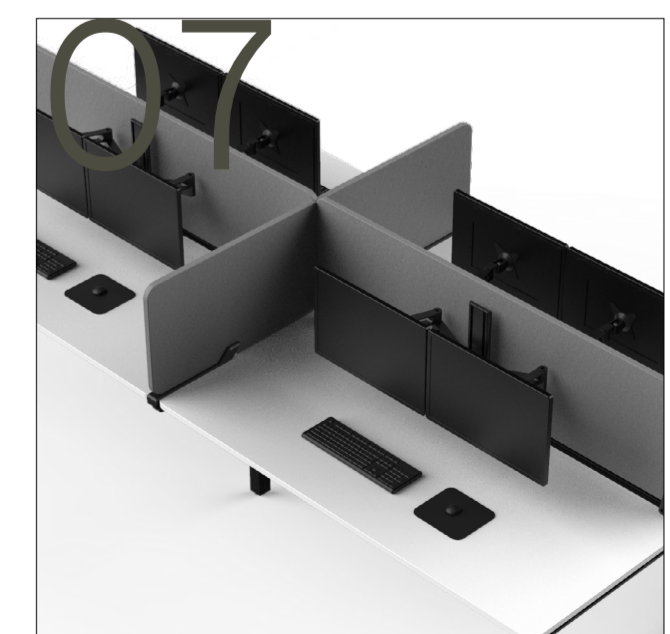
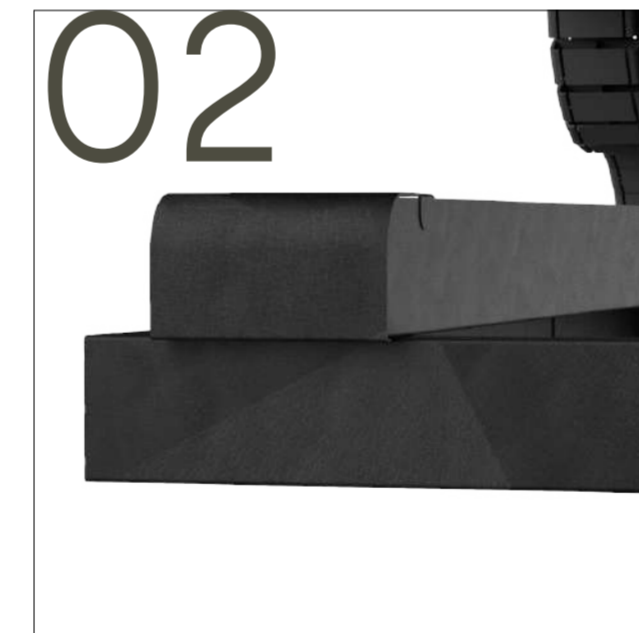
MIKI brackets are fine tuned to level the table, allowing the legs of the table to sit flush to the surface.

06 MIKI configurations

MIKI is available in a range of configurations, creating opportunities for MIKI to be used in the office, or at home.

07 MIKI accessories

The MIKI series comes with a family of accessories and adjustable add-ons, allowing you to tailor MIKI for your own individual workspace needs.



With its sleek and minimal aesthetic, MIKI stands out from a traditional bench-style workpoints to provide you with a modern home office alternative.



MIKI

TECHNICAL SPECIFICATIONS

MIKI WORKSTATIONS

MIKI Linear single desk

Materials Information

1. Tops

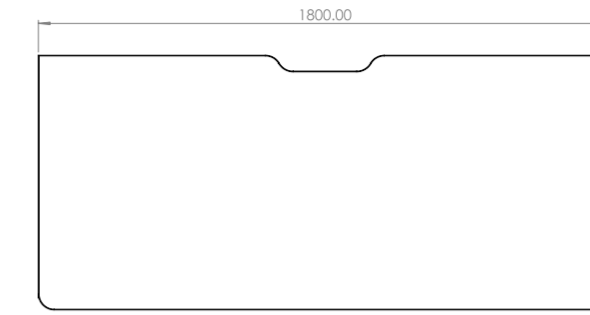
25mm commercial Melamine, Laminate or Veneer worktops. Solid wood or ABS edging.

2. Legs and Frame

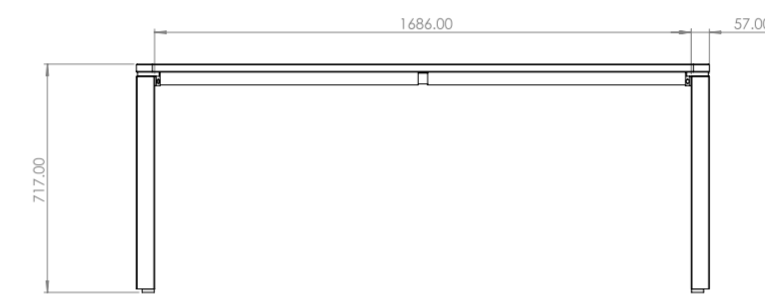
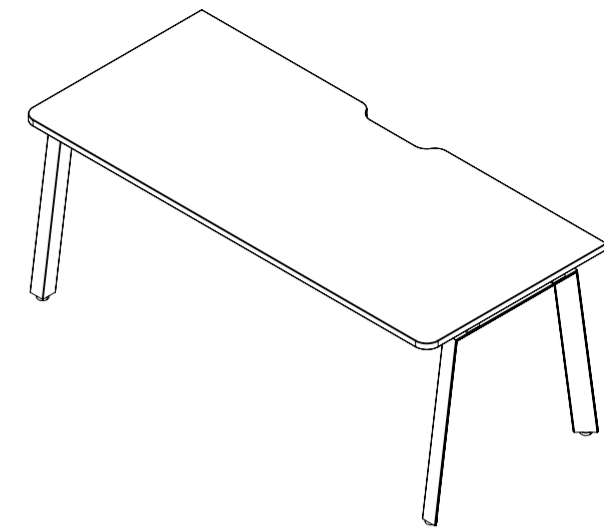
MIKI's Legs are all manufactured using Powder-coated Steel. Powder-coated Steel legs, come in both white and black variations. Other Colours can be made available as specified.

3. Frame Finishes

MIKI's frames are all manufactured using Powder-coated Steel. White or Black Powder-coat comes as standard. Other Colours can be made available as specified.



TOP VIEW



FRONT VIEW

MIKI Linear Back-to-back workstation

Materials Information

1. Tops

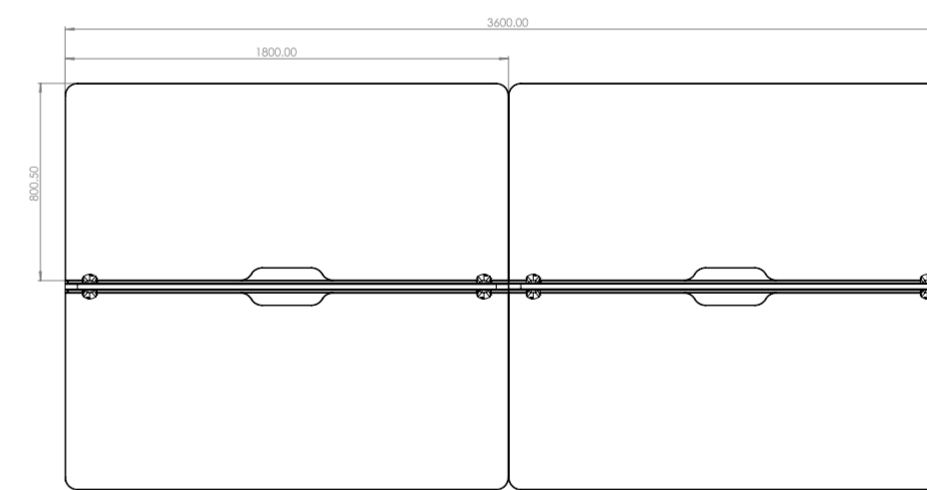
25mm commercial Melamine, Laminate or Veneer worktops. Solid wood or ABS edging.

2. Legs

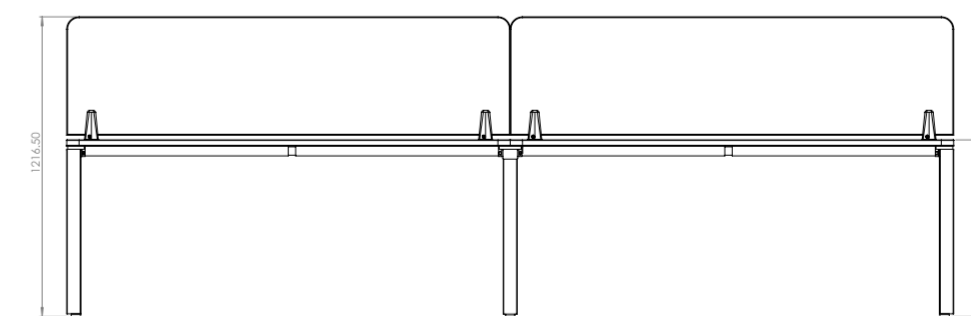
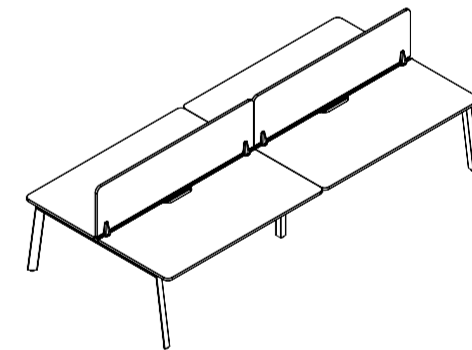
MIKI's Legs are all manufactured using Powder-coated Steel. Powder-coated Steel legs, come in both white and black variations. Other Colours can be made available as specified.

3. Frame Finishes

MIKI's frames are all manufactured using Powder-coated Steel. White or Black Powder-coat comes as standard. Other Colours can be made available as specified.



TOP VIEW



FRONT VIEW

MIKI

TECHNICAL SPECIFICATIONS

MIKI

WORKSTATIONS

MIKI Side-by-side workstation

Materials Information

1. Tops

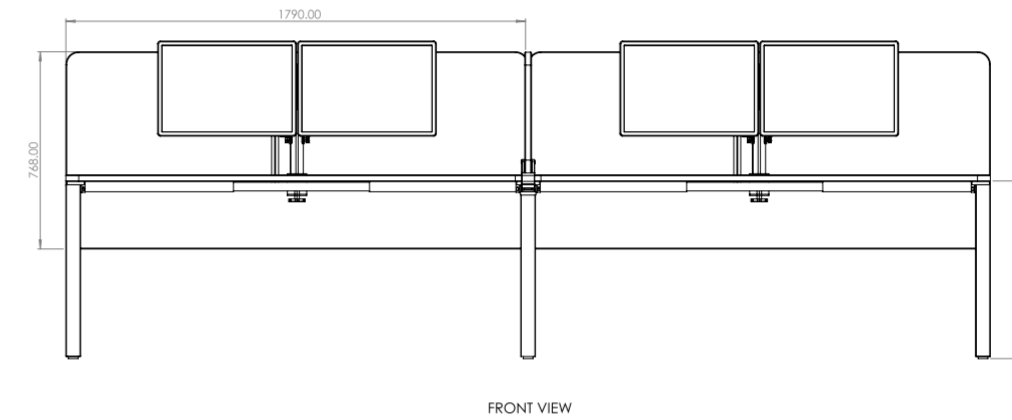
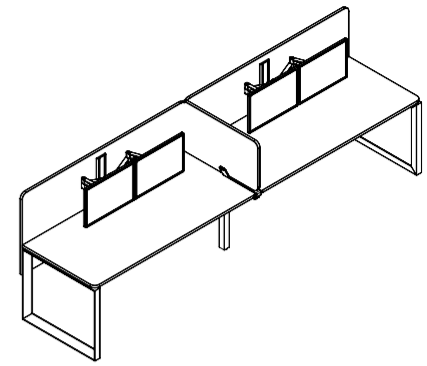
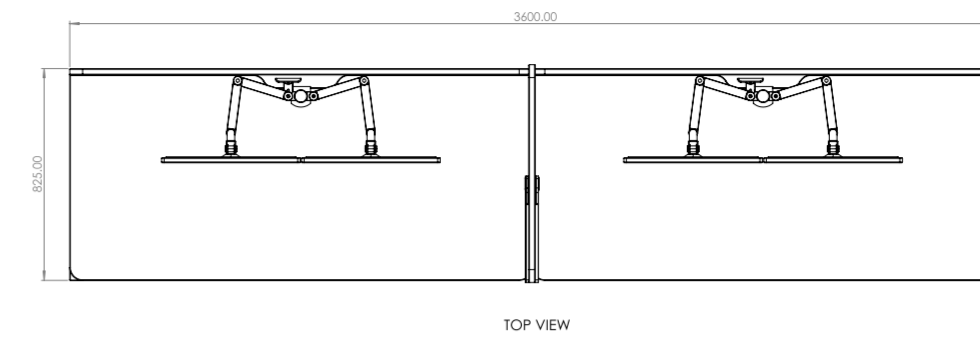
25mm commercial Melamine, Laminate or Veneer worktops. Solid wood or ABS edging.

2. Legs and Frame

MIKI's Legs are all manufactured using Powder-coated Steel. Powder-coated Steel legs, come in both white and black variations. Other Colours can be made available as specified.

3. Frame Finishes

MIKI's frames are all manufactured using Powder-coated Steel. White or Black Powder-coat comes as standard. Other Colours can be made available as specified.



MIKI 2100 x 900mm Linear desk

Materials Information

1. Tops

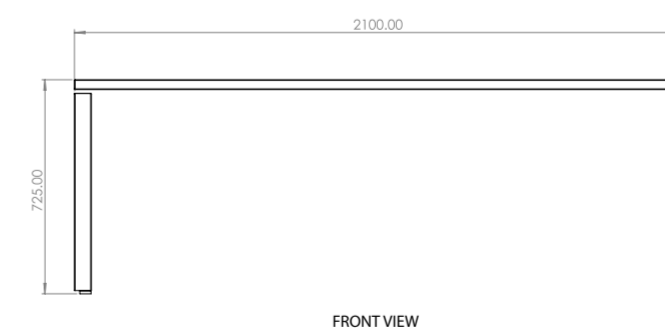
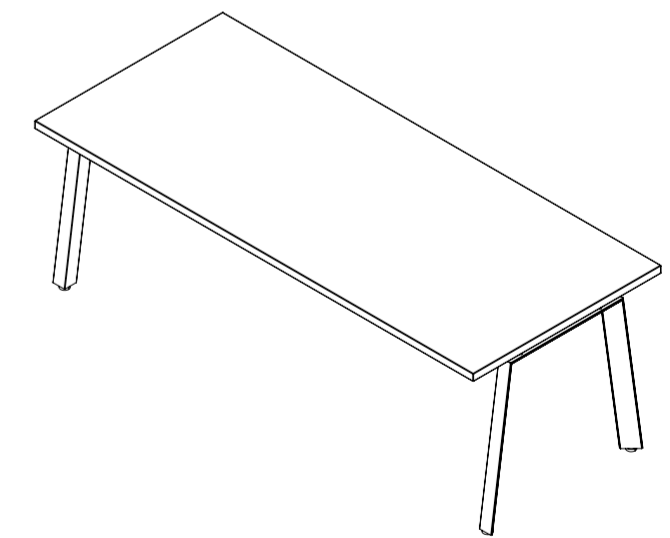
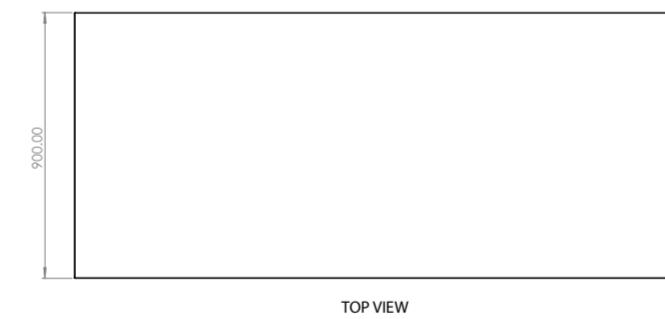
25mm commercial Melamine, Laminate or Veneer worktops. Solid wood or ABS edging.

2. Legs

MIKI's Legs are all manufactured using Powder-coated Steel. Powder-coated Steel legs, come in both white and black variations. Other Colours can be made available as specified.

3. Frame Finishes

MIKI's frames are all manufactured using Powder-coated Steel. White or Black Powder-coat comes as standard. Other Colours can be made available as specified.



MIKI

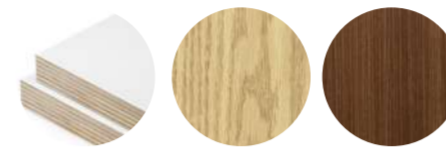
FINISHES SPECIFICATIONS

MIKI FINISHES

Adroit and versatile, MIKI yields the importance of adaptability for your own needs, offering a range of finishes and configurations to suit any office space.

1. Tops

25mm commercial Melamine, Laminate or Veneer worktops. Solid wood or ABS edging.



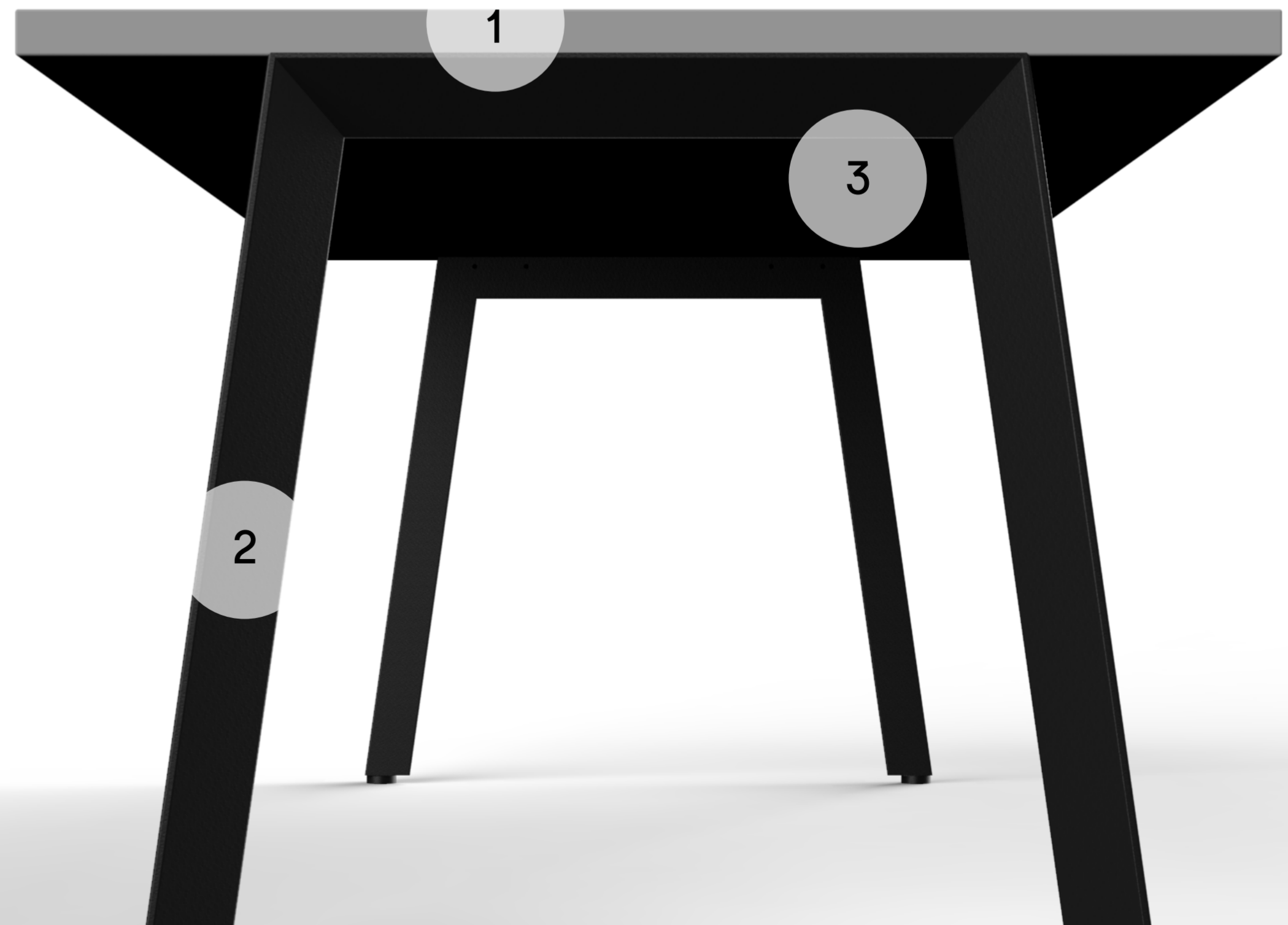
2. Legs

MIKI's Legs are all manufactured using Powder-coated Steel. Powder-coated Steel legs, come in both white and black variations. Other Colours can be made available as specified.



3. Frame Finishes

MIKI's frames are all manufactured using Powder-coated Steel. White or Black Powder-coat comes as standard. Other Colours can be made available as specified.





MIKI

THROUGH THE ELEGANCE OF MATERIALS AND CLEVER DESIGN, MIKI ADDS A SOPHISTICATED ARCHITECTURAL ELEMENT TO MODERN OFFICE WORKSPACES. WELDED SUPPORT LEGS GIVES MIKI AN UNDENIABLY SLEEK AND MINIMAL PROFILE THAT CAN BE EASILY INTEGRATED INTO ANY SPACE.

SUSTAINABILITY POLICY

WE BELIEVE A TRULY SUSTAINABLE BUSINESS SHOULD EMBRACE ENVIRONMENTAL, SOCIAL, AND CULTURAL VALUES. OUR PHILOSOPHY MEANS THAT WE EXAMINE EVERYTHING WE DO TO MINIMISE OUR IMPACT ON THE ENVIRONMENT STARTING WITH THE DESIGN OF OUR PRODUCTS, THE SELECTION OF MATERIALS, MANUFACTURING, ASSEMBLY AND INSTALLATION, PRACTICES IN OUR OFFICES AND ACCEPTING THE RESPONSIBILITY FOR OUR PRODUCTS' LIFE CYCLES.

ENVIRONMENTAL POLICY

RJ OFFICE HAS BEEN ON A SUSTAINABILITY JOURNEY SINCE 2008, ACHIEVING ENVIRONMENTAL PRODUCT CERTIFICATION AND IN 2009 ATTAINING ISO14001 EMS CERTIFICATION. AS PART OF OUR ENVIRONMENTAL MANAGEMENT SYSTEM, WE ARE COMMITTED TO CONTINUALLY IMPROVING OUR ENVIRONMENTAL PRACTICES TO ENSURE THAT WE MAINTAIN A BALANCE BETWEEN THE ENVIRONMENT AND OUR BUSINESS.

PRODUCT STEWARDSHIP POLICY

OUR PRODUCT STEWARDSHIP POLICY FOR RJ PRODUCTS PROVIDES USERS WITH A NUMBER OF OPTIONS.

WE ENCOURAGE OUR CUSTOMERS TO CONTACT US ABOUT RETURN OF OUR PRODUCTS. IF THE PRODUCTS CANNOT BE REUSED OR REFURBISHED, RJ OFFICE COMMITS TO TAKE THE PRODUCTS BACK, AT AN AGREED COST, AND ENSURE THAT THEY ARE DISASSEMBLED AND THE COMPONENTS ARE RECYCLED OR WHERE APPROPRIATE DISPOSED OF RESPONSIBLY.

PHONE: (02) 9299 9090

RJ OFFICE P/L
COPYRIGHT 2020
ALL RIGHTS RESERVED

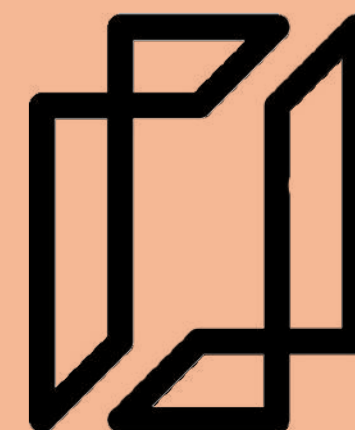
SHOWROOM

25 SHELLEY ST
KING STREET WHARF
SYDNEY NSW 2000
T: +61 2 9299 9090

LOGISTICS

BUILDING 2
112 LILYFIELD ROAD
LILYFIELD NSW 2040
T: +61 2 9818 8788

info@rj.com.au
rj.com.au



IMAGINE, INNOVATE, CREATE.

WWW.RJ.COM.AU